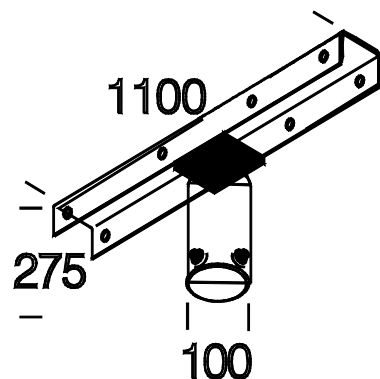


## Leo 3 PAR 30 LED 220-240V



Code	Gear	Kg	Colour	Dimensions	W Tot	lamp
22810211-00	CLD CELL	1.80	white	200x192x200 Ø192	10	LED PAR30 10W-E27-500lm-3000K - 25°-CRI 82
22810271-00	CLD CELL	1.80	met. silver		10	LED PAR30 10W-E27-500lm-3000K - 25°-CRI 82

Housing: Die cast aluminium with openable frame designed with bayonet coupling to allow easy lamp maintenance.

Painting: Acrylic resin based UV resistant powder paint.

Equipment: supplied complete with adjustable bracket (on vertical axis with 355° rotation) in die cast aluminium providing internal passage for wires.

Standards: Products comply with EN 60598-1-CEI 34.21 standards, with level of protection in accordance with EN 60529 standards.

LED: PAR30 - 230V - 3000K - 500lm - CRI80