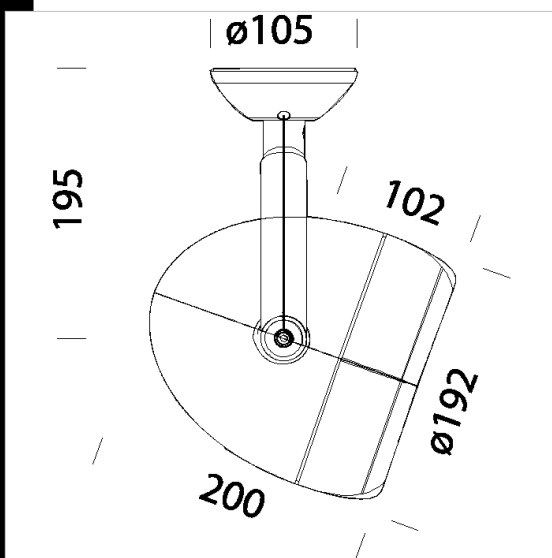
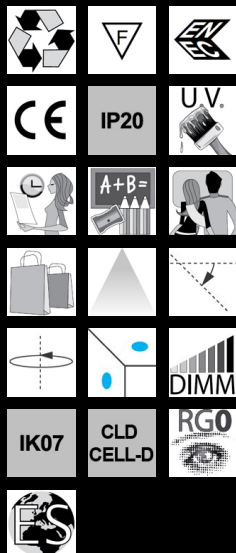


Leo 2 MASTERLED AR111 - Base version

Housing: Die cast aluminium with openable frame designed with bayonet coupling to allow easy lamp maintenance.
 Painting: Acrylic resin based UV resistant powder paint.
 Equipment: supplied complete with adjustable bracket (on vertical axis with 355° rotation) in die cast aluminium providing internal passage for wires.
 Standards: Products comply with EN 60598-1-CEI 34.21 standards, with level of protection in accordance with EN 60529 standards.
 Luminous flux maintenance L70B50: 40.000h.
 Power factor >0.9
 Photobiological safety class: exempt group EN62471.



Code	Gear	Kg	Lumen Output-K-CRI	WTot	Colour
22810173-00	CLD CELL-D	1.55	MASTERLED AR111-722lm-3000K-24°-CRI 80	18 W	ARGENTO
22810113-00	CLD CELL-D	1.90	MASTERLED AR111-722lm-3000K-24°-CRI 80	18 W	BIANCO



Download
 DXF 2D
 - leobas.dxf

The reported luminous flux is the flux emitted by the light source with a tolerance of ± 10% compared to the indicated value. The W tot column indicates the total wattage absorbed by the system without exceeding 10% of the indicated