

Download
DXF 2D
- leobin.dxf



Leo 2 MASTERLED AR111

Housing: Die cast aluminium with openable frame designed with bayonet coupling to allow easy lamp maintenance.

Painting: Acrylic resin based UV resistant powder paint.

Equipment: supplied complete with adjustable bracket (on vertical axis with 355° rotation) in die cast aluminium providing internal passage for wires.

Standards: Products comply with EN 60598-1-CEI 34.21 standards, with level of protection in accordance with EN 60529 standards.

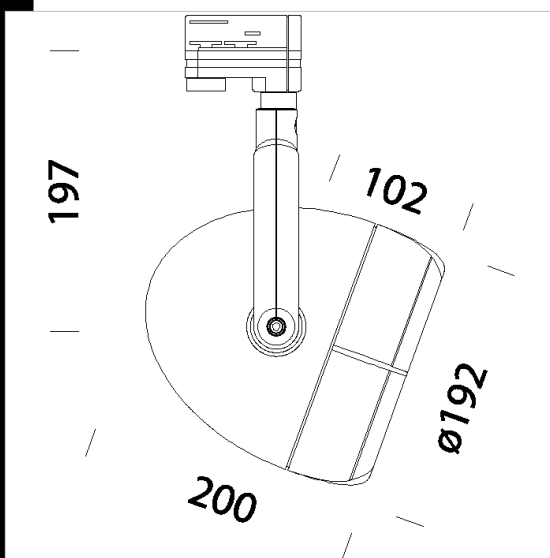
LED 10W - 3000K - 645lm - 24° - CRI 80 - DIMM igbt

LED 20W - 3000K - 1300lm - 24° - CRI 80 - DIMM igbt

Luminous flux maintenance L70B50: 40.000/25.000h.

Power factor >0.9

Photobiological safety class: exempt group EN62471.



Code	Gear	Kg	Watt	Base	Lamps	Colour
22710113-00	CLD CELL-D	1,85	MASTERLED AR111 20W		1300lm-2700K - 24°-CRI 80	WHITE
22710112-00	CLD CELL-D	1,85	MASTERLED AR111 10W	G53	645lm-3000K - 24°-CRI 82	WHITE
22710173-00	CLD CELL-D	1,75	MASTERLED AR111 20W		1300lm-2700K - 24°-CRI 80	SILVER
22710172-00	CLD CELL-D	1,70	MASTERLED AR111 10W	G53	645lm-3000K - 24°-CRI 82	SILVER

Accessori



- Universal adapter recessed



- Universal adapter base