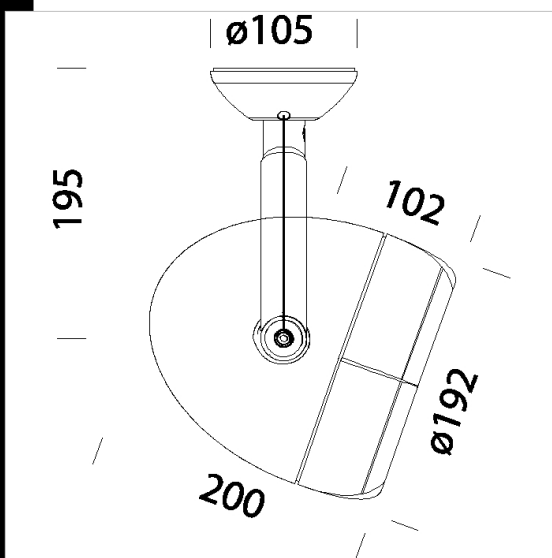


Leo 9 LED111 - Base version



Housing: Die cast aluminium with openable frame designed with bayonet coupling to allow easy lamp maintenance.
 Painting: Acrylic resin based UV resistant powder paint.
 Equipment: supplied complete with adjustable bracket (on vertical axis with 355° rotation) in die cast aluminium providing internal passage for wires.
 Standards: Products comply with EN 60598-1-CEI 34.21 standards, with level of protection in accordance with EN 60529 standards.
 The lamp can be oriented in any direction at 360°. The light of LED is without ultraviolet
 Luminous flux maintenance L70B50: 50.000h.
 Power factor >0.9
 Photobiological safety class: exempt group EN62471.



Codice	Cablaggio	Kg	Lumen Output-K-CRI	WTot	Colore
22810110-00	CLD CELL-D	1.90	LED 111-3300lm-3000K-24°-CRI 83	35 W	BIANCO
22810170-00	CLD CELL-D	2.04	LED 111-3300lm-3000K-24°-CRI 83	35 W	ARGENTO
22810115-00	CLD CELL-D	2.01	LED 111-3600lm-4000K-24°-CRI 83	35 W	BIANCO
22810175-00	CLD CELL-D	2.04	LED 111-3600lm-4000K-24°-CRI 83	35 W	ARGENTO



Download
 DXF 2D
 - 810110.dxf

Il flusso luminoso riportato indica il flusso uscente dall'apparecchio con una tolleranza di $\pm 10\%$ rispetto al valore indicato. I W tot sono la potenza totale assorbita dal sistema e non supera il 10% del valore indicato.