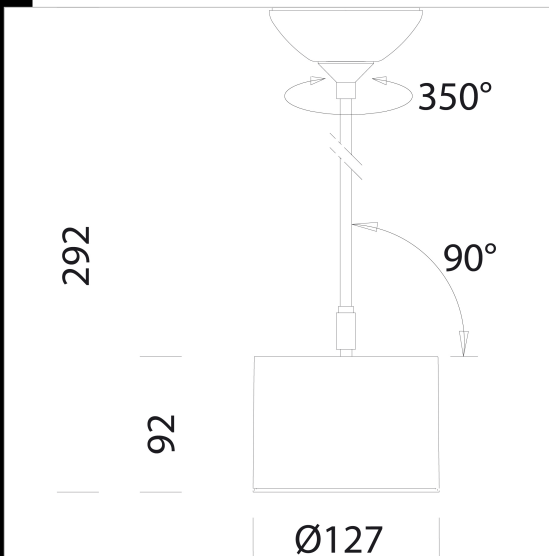


Vision 2.0 big - tiges - base version

Housing: Die-cast aluminium with cooling holes.
 Reflector: in die-cast aluminium, high efficiency and anti-glare.
 Coating: Power-coated with a UV-resistant polyester paint.
 Regulations: Manufactured in accordance with EN 60598-1-CEI 34.21 standards. Degree of protection in accordance with EN60529 standards.
 Luminous flux maintenance 80%: 50.000h (L80B20).
 Power factor >0.95
 Photobiological safety class: exempt group EN62471.
 design: A.Pedretti (Studio Rota & partner)

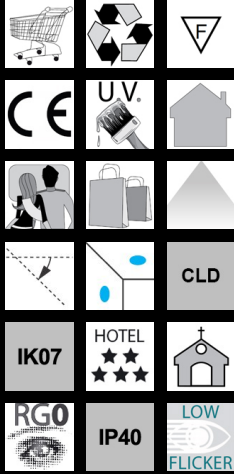


Code	Gear	Kg	Lumen Output-K-CRI	WTot	Colour
22803210-00	CLD	0.95	LED COB-2012lm-3000K-76°-CRI>80	30 W	WHITE
22803230-00	CLD	0.93	LED COB-2012lm-3000K-76°-CRI>80	30 W	BLACK
22803270-00	CLD	0.95	LED COB-2012lm-3000K-76°-CRI>80	30 W	SILVER
22803210-68	CLD	0.95	LED COB-2153lm-4000K-76°-CRI>80	30 W	WHITE
22803230-68	CLD	0.93	LED COB-2153lm-4000K-76°-CRI>80	30 W	BLACK
22803270-68	CLD	0.91	LED COB-2153lm-4000K-76°-CRI>80	30 W	SILVER

Accessories



- Alveolar screen



Download

DXF 2D
 - 803210.dxf

Montaggi
 - VISION 2.0 rev8.pdf

BIM
 - Vision 2.0 big - Tiges - Base version
 - 20200306.zip

The reported luminous flux is the flux emitted by the light source with a tolerance of $\pm 10\%$ compared to the indicated value. The W tot column indicates the total wattage absorbed by the system without exceeding 10% of the indicated