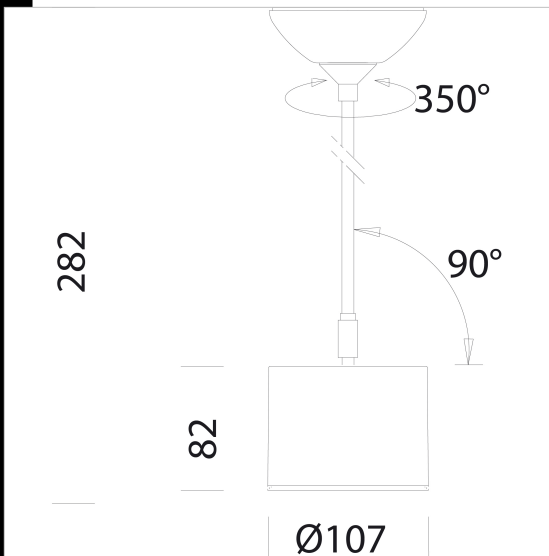


## Vision 2.0 small - tiges - base version

Housing: Die-cast aluminium with cooling holes.  
 Reflector: in die-cast aluminium, high efficiency and anti-glare.  
 Coating: Power-coated with a UV-resistant polyester paint.  
 Regulations: Manufactured in accordance with EN 60598-1-CEI 34.21 standards. Degree of protection in accordance with EN60529 standards.  
 Luminous flux maintenance 80%: 50.000h (L80B20).  
 Power factor >0.95  
 Photobiological safety class: exempt group EN62471.  
 design: A.Pedretti (Studio Rota & partner)

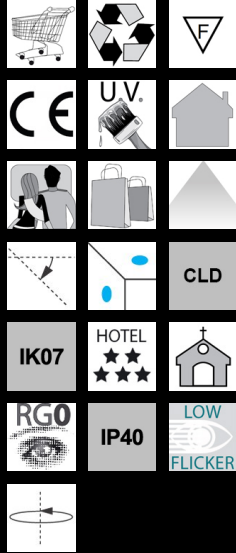


Code	Gear	Kg	Lumen Output-K-CRI	WTot	Colour
22803110-00	CLD	0.80	LED COB-1283lm-3000K-30°-CRI>80	20 W	WHITE
22803130-00	CLD	0.77	LED COB-1283lm-3000K-30°-CRI>80	20 W	BLACK
22803170-00	CLD	0.79	LED COB-1283lm-3000K-30°-CRI>80	20 W	SILVER
22803110-68	CLD	0.80	LED COB-1373lm-4000K-30°-CRI>80	20 W	WHITE
22803130-68	CLD	0.79	LED COB-1373lm-4000K-30°-CRI>80	20 W	BLACK
22803170-68	CLD	1.00	LED COB-1373lm-4000K-30°-CRI>80	20 W	SILVER

### Accessories



- Alveolar screen



### Download

DXF 2D  
 - 803110.dxf

Montaggi  
 - VISION 2.0 rev8.pdf

BIM  
 - Vision 2.0 small - Tiges - Base version - 20200306.zip

The reported luminous flux is the flux emitted by the light source with a tolerance of ± 10% compared to the indicated value. The W tot column indicates the total wattage absorbed by the system without exceeding 10% of the indicated