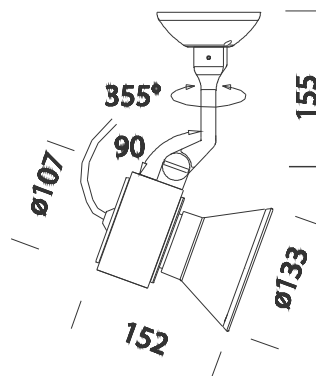


## Vision A+M



Code	Gear	Kg	Colour	Dimensions	W Tot	lamp
22800115-00	CLD CELL	1.10	white	152x133x280	8	LED white 8W-GU10-600lm-3000K - 36°-CRI 80
22800135-00	CLD CELL	1.10	black	152x133x280	8	LED white 8W-GU10-600lm-3000K - 36°-CRI 80
22800175-00	CLD CELL	1.10	met. silver	152x133x280	8	LED white 8W-GU10-600lm-3000K - 36°-CRI 80

A new family of floodlights covering the widest range of sources and lighting design needs for perfect optical control of the light beams.

A series of fixtures designed to satisfy the most widely differing architectural lighting and display needs, with performance in mind and using the most innovative light sources to ensure excellent visual comfort.

The highest performance components are contained in an extruded aluminium housing with through chambers which permit optimised heat exchange by conductive and convective dispersion thus increasing the performance and reliability of the floodlights. The movable L-shaped supporting rod permits optimised balancing of the fixture whatever its configuration.

The direction can be precisely controlled and the light beam accurately aimed using the radial micrometric scale.

Modern lighting design increasingly often demands excellent aesthetic results.

When a product maintains the same aesthetic design, it becomes increasingly important to have various types of light source to choose from. Vision has thus been created to satisfy any need. In fact, a single housing guarantees application continuity even when using different optical units and lamps, and is ideal for use in places where, when accent lighting is required, the quality of the light output must be differentiated.

Housing: Die-cast aluminium with cooling holes.

Coating: Power-coated with a UV-resistant polyester paint.

Regulations: Manufactured in accordance with EN 60598-1-CEI 34.21 standards. Degree of protection in accordance with EN60529 standards.

LED 8W - 3000K - 600lm - 36° - CRI 80

Power factor:  $\geq 0.8$

Luminous flux maintenance 70% 15000h (L70B50)

Photobiological safety class: exempt group EN62471.