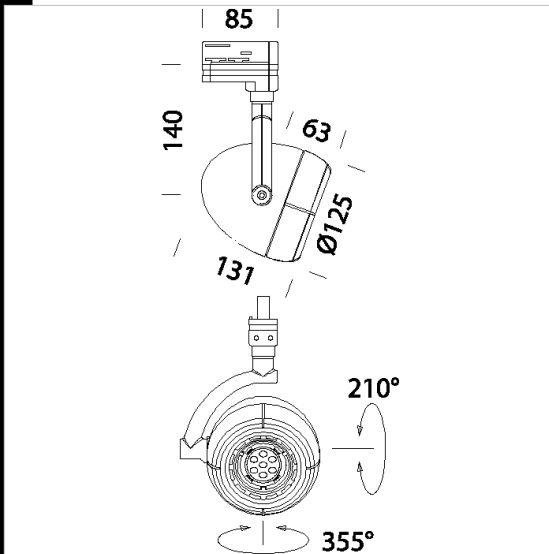


## Mini Leo 5 - Universal adapter

Housing: Die cast aluminium with openable frame designed with bayonet coupling to allow easy lamp maintenance.  
 Painting: Acrylic resin based UV resistant powder paint.  
 Lampholder: Ceramic and with silver-plated contacts.  
 Equipment: supplied complete with adjustable bracket (on vertical axis with 355° rotation) in die cast aluminium providing internal passage for wires.  
 Standards: Products comply with EN 60598-1-CEI 34.21 standards, with level of protection in accordance with EN 60529 standards.  
 Power factor: 0.8  
 Luminous flux maintenance 70% 25000h (L70B50)  
 Photobiological safety class: exempt group EN62471.



Code	Gear	Kg	Lumen Output-K-CRI	WTot	Colour
22710977-00	CLD CELL	0.85	LED SMD-500lm-3000K-38°-CRI 80	6 W	ARGENTO
22710917-00	CLD CELL	0.85	LED SMD-500lm-3000K-38°-CRI 80	6 W	BIANCO

### Accessories



- Universal adapter recessed



- Universal adapter base



- Anti-dazzle shutter and



- Conveyor mm.82

The reported luminous flux is the flux emitted by the light source with a tolerance of  $\pm 10\%$  compared to the indicated value. The W tot column indicates the total wattage absorbed by the system without exceeding 10% of the indicated