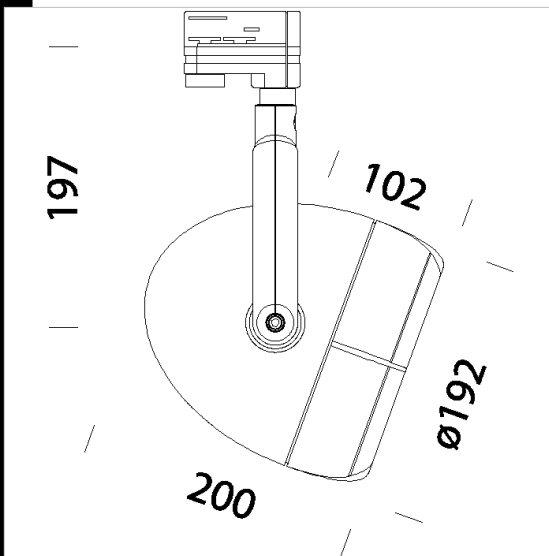


Leo 2 MASTERLED AR111 - Universal adapter



Housing: Die cast aluminium with openable frame designed with bayonet coupling to allow easy lamp maintenance.
 Painting: Acrylic resin based UV resistant powder paint.
 Equipment: supplied complete with adjustable bracket (on vertical axis with 355° rotation) in die cast aluminium providing internal passage for wires.
 Standards: Products comply with EN 60598-1-CEI 34.21 standards, with level of protection in accordance with EN 60529 standards.
 LED 15W - 3000K - 770lm - 24° - CRI 80 - DIMM igbt
 Luminous flux maintenance L70B50: 40.000h.
 Power factor >0.9
 Photobiological safety class: exempt group EN62471.



| Code | Gear | Kg | Watt | Base | Lamps | Colour |
|-------------|------------|------|------------------------|------|--------------------------|--------|
| 22710113-00 | CLD CELL-D | 1,85 | MASTERLED AR111 15W | | 770lm-3000K - 24°-CRI 80 | WHITE |
| 22710173-00 | CLD CELL-D | 1,75 | MASTERLED AR111 15W | | 770lm-3000K - 24°-CRI 80 | SILVER |

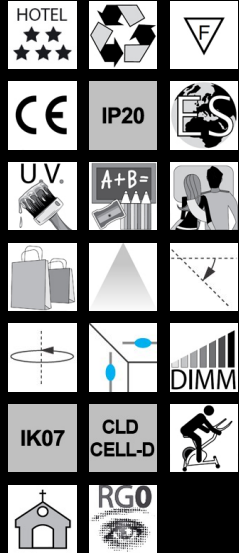
Accessori



- Universal adapter recessed



- Universal adapter base



Download

DXF 2D
- leobin.dxf