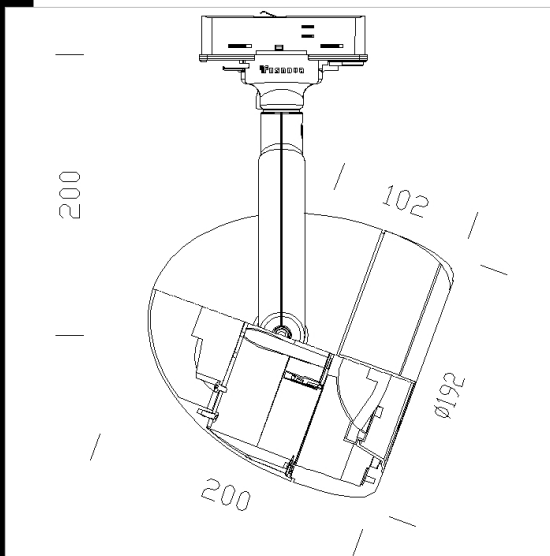


Leo 2 - Universal adapter

Housing: Die cast aluminium with openable frame designed with bayonet coupling to allow easy lamp maintenance.
 Reflector: Mirror-finish, faceted aluminium for the CDM-TC versions.
 Painting: Acrylic resin based UV resistant powder paint.
 Lampholder: Ceramic and with silver-plated contacts.
 Wiring: 230 V/50 Hz power supply with electronic ballast or 12 V transformer.
 Silicon insulated wire with glass fibre braid, cross-section 1.0 mm².
 Equipment: supplied complete with adjustable bracket (on vertical axis with 355° rotation) in die cast aluminium providing internal passage for wires.
 Standards: Products comply with EN 60598-1-CEI 34.21 standards, with level of protection in accordance with EN 60529 standards.



Code	Gear	Kg	Lumen-K-CRI	WTot	Base	Colour
22710171-00	CTL	1.70	AR111 50IRC-735lm-3000K-Ra 100	51 W	G53	ARGENTO
22710111-00	CTL	1.70	AR111 50IRC-735lm-3000K-Ra 100	51 W	G53	BIANCO

Download

DXF 2D
 - 710171.dxf

The reported luminous flux is the flux emitted by the light source with a tolerance of $\pm 10\%$ compared to the indicated value. The W tot column indicates the total wattage absorbed by the system without exceeding 10% of the indicated