

Leo 9 LED111 - Universal adapter

Housing: Die cast aluminium with openable frame designed with bayonet coupling to allow easy lamp maintenance.

Painting: Acrylic resin based UV resistant powder paint.

Equipment: supplied complete with adjustable bracket (on vertical axis with 355° rotation) in die cast aluminium providing internal passage for wires.

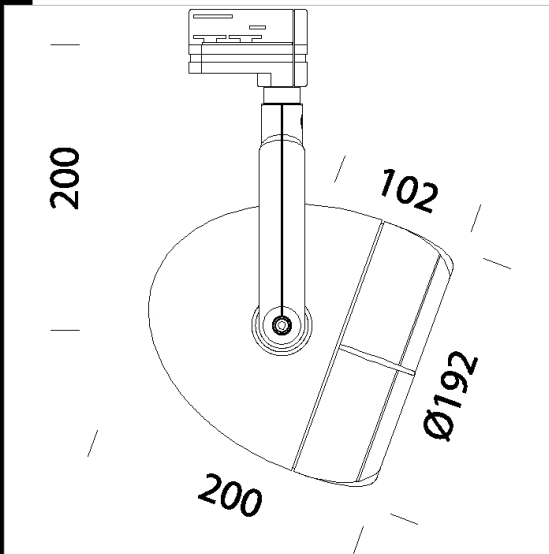
Standards: Products comply with EN 60598-1-CEI 34.21 standards, with level of protection in accordance with EN 60529 standards.

The lamp can be oriented in any direction at 360°. The light of LED is without ultraviolet

Luminous flux maintenance L70B50: 50.000h.

Power factor >0.9

Photobiological safety class: exempt group EN62471.



| Codice | Cablaggio | Kg | Lumen Output-K-CRI | WTot | Colore |
|-------------|-----------|------|--------------------------------------------------------------------|------|---------|
| 22710110-00 | CLD CELL | 1.95 | LED 111-3300lm-3000K-24°-CRI 83 LED 111-3300lm-3000K-24°-CRI 83 | 35 W | BIANCO |
| 22710170-00 | CLD CELL | 2.02 | LED 111-3300lm-3000K-24°-CRI 83 LED 111-3300lm-3000K-24°-CRI 83 | 35 W | ARGENTO |
| 22710115-00 | CLD CELL | 2.02 | LED 111-3600lm-4000K-24°-CRI 83 LED 111-3600lm-4000K-24°-CRI 83 | 35 W | BIANCO |
| 22710175-00 | CLD CELL | 2.00 | LED 111-3600lm-4000K-24°-CRI 83 LED 111-3600lm-4000K-24°-CRI 83 | 35 W | ARGENTO |

Accessori



- Universal adapter recessed



- Universal adapter base

Il flusso luminoso riportato indica il flusso uscente dall'apparecchio con una tolleranza di $\pm 10\%$ rispetto al valore indicato. I W tot sono la potenza totale assorbita dal sistema e non supera il 10% del valore indicato.