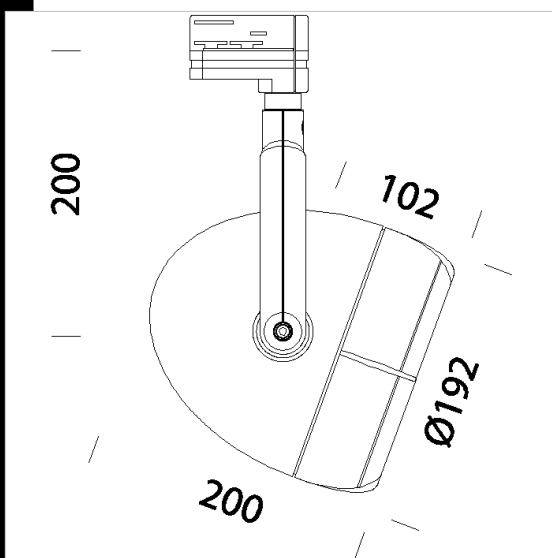


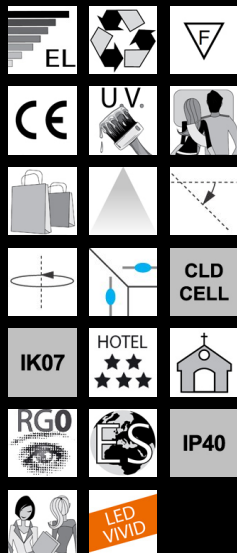
Leo 1 LED COB VIVID - Universal adapter



Housing: Die cast aluminium with openable frame designed with bayonet coupling to allow easy lamp maintenance.
 Reflector: in die-cast polished aluminium, high efficiency and anti-glare.
 Painting: Acrylic resin based UV resistant powder paint.
 Equipment: supplied complete with adjustable bracket (on vertical axis with 355° rotation) in die cast aluminium providing internal passage for wires.
 Standards: Products comply with EN 60598-1-CEI 34.21 standards, with level of protection in accordance with EN 60529 standards.
 The lamp can be oriented in any direction at 360°. The light of LED is without ultraviolet
 Luminous flux maintenance L70B50: 50.000h.
 Power factor >0.9
 Photobiological safety class: exempt group EN62471.



Code	Gear	Kg	Lumen Output-K-CRI	WTot	Colour
22710071-00	CLD CELL	2.06	LED COB VIVID-1336lm-3000K-45°-CRI>95	19 W	ARGENTO
22710011-00	CLD CELL	1.85	LED COB VIVID-1336lm-3000K-45°-CRI>95	19 W	BIANCO
22710073-00	CLD CELL	2.07	LED COB-2563lm-3000K-45°-CRI 92	26 W	ARGENTO
22710012-00	CLD CELL	2.10	LED COB-2563lm-3000K-45°-CRI 92	26 W	BIANCO



Download
 DXF 2D
 - 710110.dxf

The reported luminous flux is the flux emitted by the light source with a tolerance of ± 10% compared to the indicated value. The W tot column indicates the total wattage absorbed by the system without exceeding 10% of the indicated