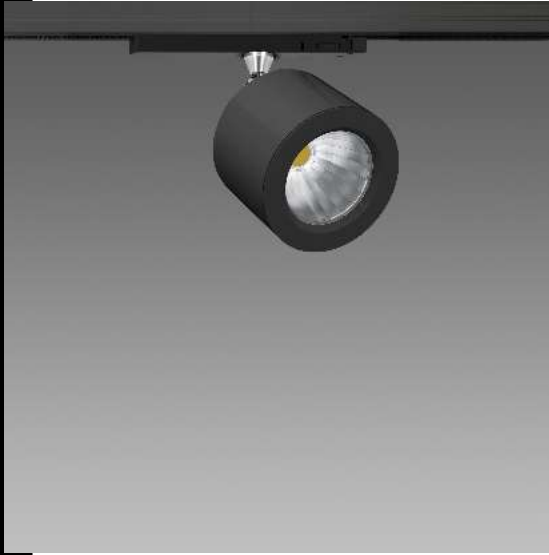
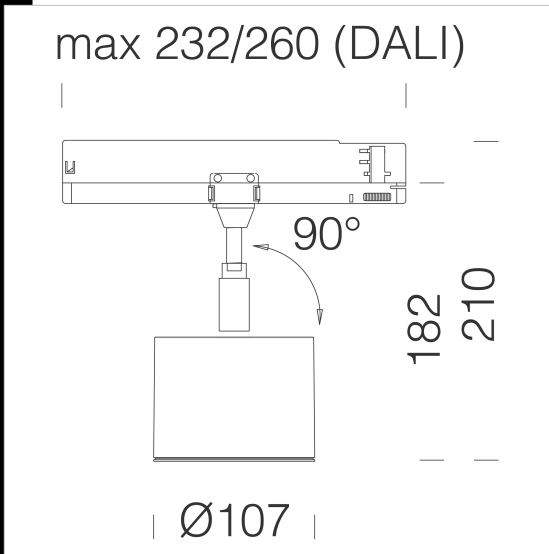
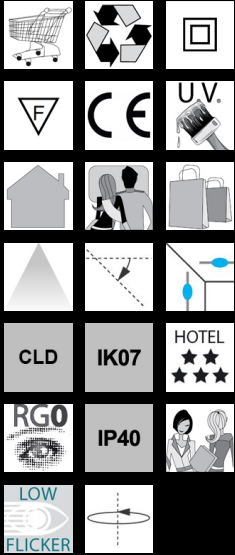


Vision 2.0 small - tiges - short - universal adapter



Housing: Die-cast aluminium with cooling holes.
 Reflector: in die-cast aluminium, high efficiency and anti-glare.
 Coating: Power-coated with a UV-resistant polyester paint.
 Regulations: Manufactured in accordance with EN 60598-1-CEI 34.21 standards. Degree of protection in accordance with EN60529 standards.
 Luminous flux maintenance 80%: 50.000h (L80B20).
 Power factor >0.95
 Photobiological safety class: exempt group EN62471.
 design: A.Pedretti (Studio Rota & partner)
 DALI dimmable version -1241 -6841 to be used with OMNITRACK PLUS track-mounted system.



Download
 DXF 2D
 - 703810.dxf
 Montaggi
 - VISION 2.0 rev8.pdf

Code	Gear	Kg	Lumen Output-K-CRI	WTot	Colour
22703810-00	CLD	0,69	LED COB-3631lm-3000K-44°-CRI>90	33 W	WHITE
22703830-00	CLD	0,69	LED COB-3631lm-3000K-44°-CRI>90	33 W	BLACK
22703870-00	CLD	1,00	LED COB-3631lm-3000K-44°-CRI>90	33 W	SILVER
22703810-68	CLD	0,90	LED COB-3885lm-4000K-44°-CRI>90	33 W	WHITE
22703830-68	CLD	0,69	LED COB-3885lm-4000K-44°-CRI>90	33 W	BLACK
22703870-68	CLD	1,00	LED COB-3885lm-4000K-44°-CRI>90	33 W	SILVER

Accessori



- Alveolar screen



- Acc. recessed



- Acc. base for universal adapter and DIMM 1/10V-DALI adapter

The reported luminous flux is the flux emitted by the light source with a tolerance of ± 10% compared to the indicated value. The W tot column indicates the total wattage absorbed by the system without exceeding 10% of the indicated