

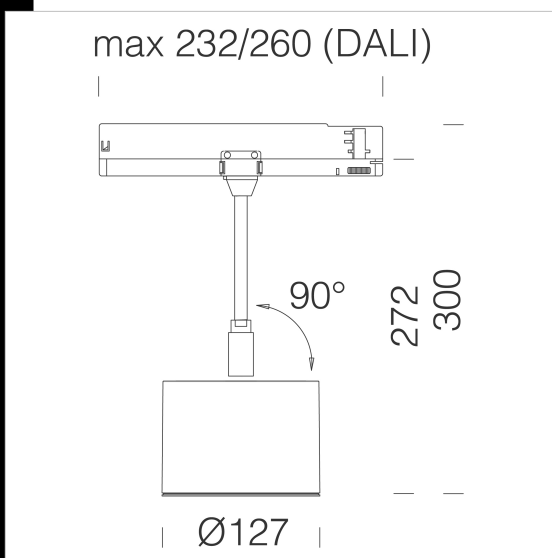
## Vision 2.0 big - Tiges - Universal adapter

Housing: Die-cast aluminium with cooling holes.  
 Reflector: in die-cast aluminium, high efficiency and anti-glare.  
 Coating: Power-coated with a UV-resistant polyester paint.  
 Regulations: Manufactured in accordance with EN 60598-1-CEI 34.21 standards. Degree of protection in accordance with EN60529 standards.  
 Luminous flux maintenance 80%: 50.000h (L80B20).  
 Power factor >0.95  
 Photobiological safety class: exempt group EN62471.  
 design: A.Pedretti (Studio Rota & partner)  
 DALI dimmable version -1241 -6841 to be used with OMNITRACK PLUS track-mounted system.

### Download

DXF 2D  
 - 703710.dxf

Montaggi  
 - VISION2.0 rev7.pdf



| Code        | Gear     | Kg   | Lumen Output-K-CRI              | WTot | Colour |
|-------------|----------|------|---------------------------------|------|--------|
| 22703710-00 | CLD CELL | 0,69 | LED COB-3761lm-3000K-74°-CRI 92 | 39 W | WHITE  |
| 22703730-00 | CLD CELL | 0,69 | LED COB-3761lm-3000K-74°-CRI 92 | 39 W | BLACK  |
| 22703770-00 | CLD CELL | 0,69 | LED COB-3761lm-3000K-74°-CRI 92 | 39 W | SILVER |
| 22703710-68 | CLD CELL | 0,69 | LED COB-4024lm-4000K-74°-CRI 92 | 39 W | WHITE  |
| 22703730-68 | CLD CELL | 0,69 | LED COB-4024lm-4000K-74°-CRI 92 | 39 W | BLACK  |
| 22703770-68 | CLD CELL | 0,69 | LED COB-4024lm-4000K-74°-CRI 92 | 0 W  | SILVER |

The reported luminous flux is the flux emitted by the light source with a tolerance of ± 10% compared to the indicated value. The W tot column indicates the total wattage absorbed by the system without exceeding 10% of the indicated