

## Vision 2.0 big C - Long - Universal adapter

A new family of floodlights covering the widest range of sources and lighting design needs for perfect optical control of the light beams.

A series of fixtures designed to satisfy the most widely differing architectural lighting and display needs, with performance in mind and using the most innovative light sources to ensure excellent visual comfort.

The highest performance components are contained in an extruded aluminium housing with through chambers which permit optimised heat exchange by conductive and convective dispersion thus increasing the performance and reliability of the floodlights. The movable L-shaped supporting rod permits optimised balancing of the fixture whatever its configuration.

The direction can be precisely controlled and the light beam accurately aimed using the radial micrometric scale.

Modern lighting design increasingly often demands excellent aesthetic results. When a product maintains the same aesthetic design, it becomes increasingly important to have various types of light source to choose from. Vision has thus been created to satisfy any need. In fact, a single housing guarantees application continuity even when using different optical units and lamps, and is ideal for use in places where, when accent lighting is required, the quality of the light output must be differentiated.

Housing: Die-cast aluminium with cooling holes.

Reflector: in die-cast aluminium, high efficiency and anti-glare.

Coating: Power-coated with a UV-resistant polyester paint.

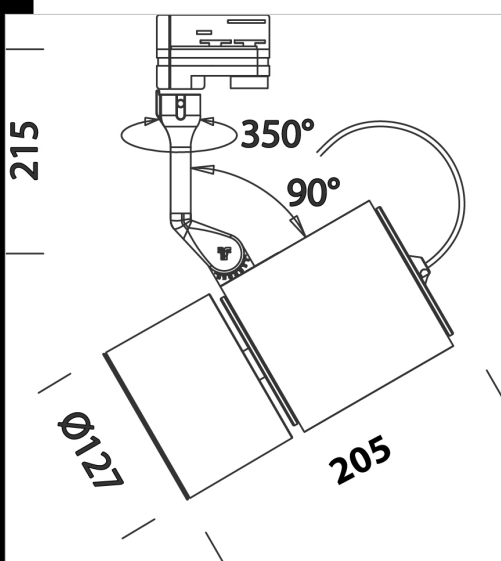
Regulations: Manufactured in accordance with EN 60598-1-CEI 34.21 standards. Degree of protection in accordance with EN60529 standards.

Luminous flux maintenance 80%: 50.000h (L80B20).

Power factor >0.95

Photobiological safety class: exempt group EN62471.

design: A.Pedretti (Studio Rota & partner)



### Download

DXF 2D  
- 703013.dxf

Montaggi  
- vision2.0.pdf

Code	Gear	Kg	Lumen Output-K-CRI	WTot	Colour
22703013-00	CLD CELL	1.80	LED COB-3671lm-3000K-74°-CRI 92	39 W	BIANCO
22703033-00	CLD CELL	1.83	LED COB-3671lm-3000K-74°-CRI 92	39 W	NERO
22703073-00	CLD CELL	1.82	LED COB-3671lm-3000K-74°-CRI 92	39 W	ARGENTO
22703013-22	CLD CELL	1.78	LED COB-3694lm-3000K-20°-CRI 92	40 W	BIANCO
22703033-22	CLD CELL	1.78	LED COB-3694lm-3000K-20°-CRI 92	40 W	NERO
22703073-22	CLD CELL	1.78	LED COB-3694lm-3000K-20°-CRI 92	40 W	ARGENTO
22703013-0089	CLD CELL	1.78	LED COB-3600lm-3000K-37°-CRI 92	39 W	BIANCO
22703033-0089	CLD CELL	1.78	LED COB-3600lm-3000K-37°-CRI 92	40 W	NERO
22703073-0089	CLD CELL	1.78	LED COB-3600lm-3000K-37°-CRI 92	40 W	ARGENTO
22703013-12	CLD CELL-D	1.79	LED COB-3671lm-3000K-74°-CRI 92	39 W	BIANCO
22703033-12	CLD CELL-D	1.79	LED COB-3671lm-3000K-74°-CRI 92	39 W	NERO
22703073-12	CLD CELL-D	1.79	LED COB-3671lm-3000K-74°-CRI 92	39 W	ARGENTO
22703013-1241	CLD CELL-D-D	1.79	LED COB-3671lm-3000K-74°-CRI 92	39 W	BIANCO
22703033-1241	CLD CELL-D-D	1.79	LED COB-3671lm-3000K-74°-CRI 92	39 W	NERO
22703073-1241	CLD CELL-D-D	1.79	LED COB-3671lm-3000K-74°-CRI 92	39 W	ARGENTO
22703013-68	CLD CELL	1.81	LED COB-4024lm-4000K-74°-CRI 92	39 W	BIANCO
22703033-68	CLD CELL	1.79	LED COB-4024lm-4000K-74°-CRI 92	39 W	NERO
22703073-68	CLD CELL	1.81	LED COB-4024lm-4000K-74°-CRI 92	39 W	ARGENTO
22703013-1213	CLD CELL-D	1.79	LED COB-4024lm-4000K-74°-CRI 92	39 W	BIANCO
22703033-1213	CLD CELL-D	1.79	LED COB-4024lm-4000K-74°-CRI 92	39 W	NERO
22703073-1213	CLD CELL-D	1.79	LED COB-4024lm-4000K-74°-CRI 92	39 W	ARGENTO
22703013-6841	CLD CELL-D	1.79	LED COB-4024lm-4000K-74°-CRI 92	39 W	BIANCO
22703033-6841	CLD CELL-D-D	1.79	LED COB-4024lm-4000K-74°-CRI 92	39 W	NERO
22703073-6841	CLD CELL-D-D	1.79	LED COB-4024lm-4000K-74°-CRI 92	39 W	ARGENTO

The reported luminous flux is the flux emitted by the light source with a tolerance of ± 10% compared to the indicated value. The W tot column indicates the total wattage absorbed by the system without exceeding 10% of the indicated

### Accessories

