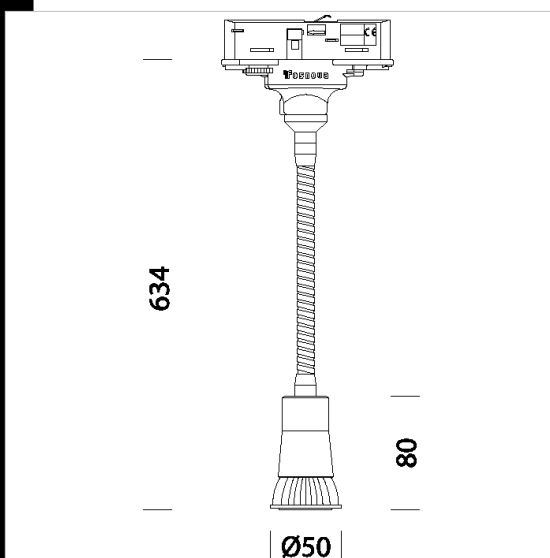
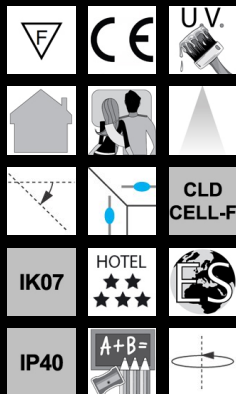


Stelo FLEX - Universal adapter - MASTERLED 5.5w 220-240V

A line of decorative fixtures designed to be installed on wall mounted.
 Housing: Adjustable angle, made of aluminium
 Regulations: Manufactured in accordance with standards EN60598 – CEI 34 –21. Degree of protection in accordance with standards EN60529.



Code	Gear	Kg	Lumen Output-K-CRI	WTot	Base	Colour
22605266-00	CLD CELL	0.65	MASTERLED-270lm-2700K-25°-CRI 80	6 W	GU10	CHROME



Download
 DXF 2D
 - stelobin flex.dxf

The reported luminous flux is the flux emitted by the light source with a tolerance of ± 10% compared to the indicated value. The W tot column indicates the total wattage absorbed by the system without exceeding 10% of the indicated