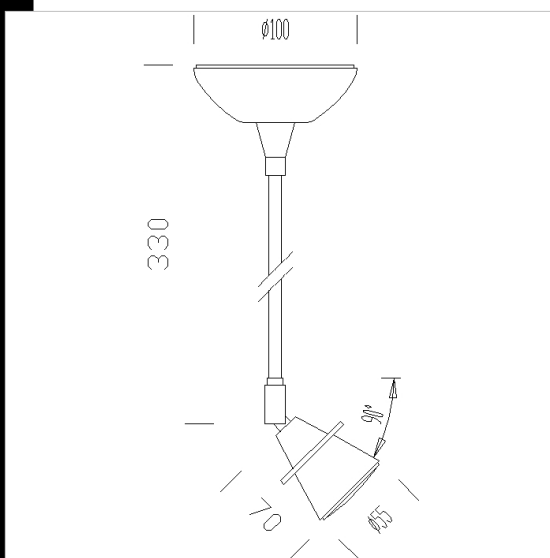
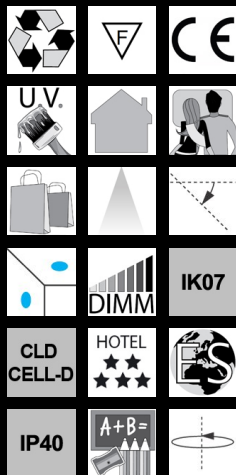


## Stelo 3 - LED 6.5W - DIMM

A line of decorative fixtures designed to be installed on wall mounted.  
 Housing: Adjustable angle, made of aluminium  
 Regulations: Manufactured in accordance with standards EN60598 – CEI 34 –21. Degree of protection in accordance with standards EN60529.



Code	Gear	Kg	Lumen Output-K-CRI	WTot	Base	Colour
22605169-00	CLD CELL-D	0.40	LED COB-500lm-3000K-38°-CRI 80	6 W	GU10	CHROME



### Download

DXF 2D  
 - 605165.dxf

The reported luminous flux is the flux emitted by the light source with a tolerance of  $\pm 10\%$  compared to the indicated value. The W tot column indicates the total wattage absorbed by the system without exceeding 10% of the indicated