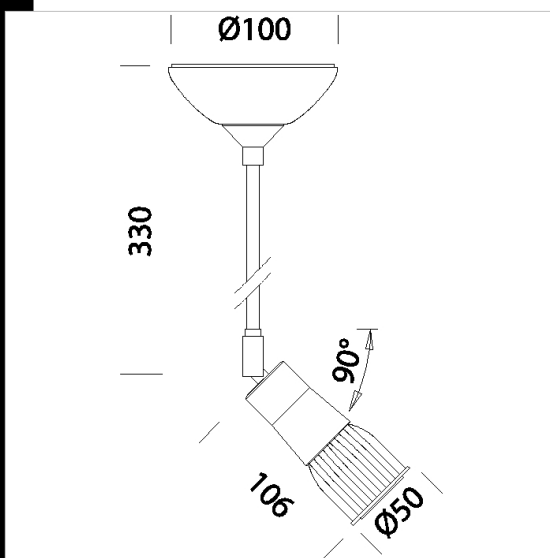
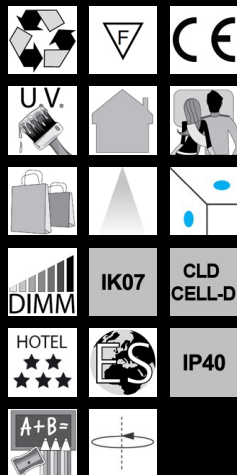


Stelo - LED 7W - DIMM - 220-240V

A line of decorative fixtures designed to be installed on wall mounted.
 Housing: Adjustable angle, made of aluminium
 Regulations: Manufactured in accordance with standards EN60598 – CEI 34 –21. Degree of protection in accordance with standards EN60529.



Code	Gear	Kg	Lumen Output-K-CRI	WTot	Base	Colour
22605168-00	CLD CELL-D	0.50	LED-450lm-3000K-30°-	5 W	GU10	CROMATO



Download

DXF 2D
 - stelofsl.dxf

The reported luminous flux is the flux emitted by the light source with a tolerance of $\pm 10\%$ compared to the indicated value. The W tot column indicates the total wattage absorbed by the system without exceeding 10% of the indicated