



Download

DXF 2D
- 501470.dxf



Cast "A+B+C" - COB - Universal adapter

Cast addresses today's light engineering needs - for artworks, trade fairs, architectural applications, whenever the goal is to enhance the form and volume of illuminated objects. More than a product, it is a "family of light".

Achievement of quality lighting and high technical performance are the key features of the "CAST" project.

Housing: Die-cast aluminium with cooling holes.

Coating: Powder coated with polyester epoxy paint, UV-resistant.

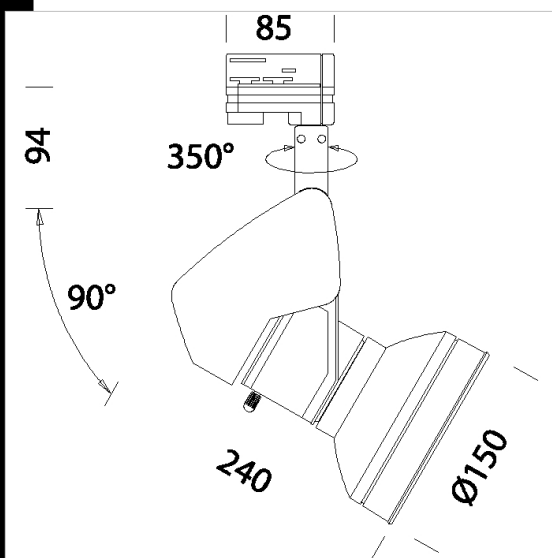
Regulations: Manufactured in accordance with standards EN60598 - CEI 34 -21. Degree of protection in accordance with standards EN60529.

LED COB 17W - 3000K - 2000lm - CRI 93 - 38°

Luminous flux maintenance L70B50: 50.000h.

Power factor >0.9

Photobiological safety class: exempt group EN62471.



Code	Gear	Kg	Watt	Base	Lamps	Colour
22501470-00	CLD CELL	1,35	LED COB 17W		2000lm-3000K - 38°-CRI 93	SILVER
22501410-00	CLD CELL	2,14	LED COB 17W		2000lm-3000K - 38°-CRI 93	WHITE