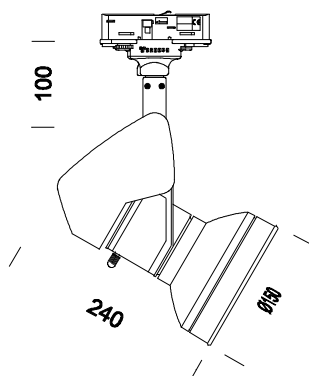


Cast "A+B+C" - ESALED 60°



Code	Gear	Kg	Colour	Dimensions	W Tot	lamp
22501377-00	CLD CELL-F	2.60	met. silver	240x150x97	14	ESALED-1260lm @ 700mA-3000K - 60°
22501376-00	CLD CELL-F	2.60	met. silver	240x150x97	14	ESALED-1400lm @ 700mA-4000K - 60°

Cast addresses today's light engineering needs - for artworks, trade fairs, architectural applications, whenever the goal is to enhance the form and volume of illuminated objects. More than a product, it is a "family of light". Achievement of quality lighting and high technical performance are the key features of the "CAST" project.

Housing: Die-cast aluminium with cooling holes.

Coating: Powder coated with polyester epoxy paint, UV-resistant .

Regulations: Manufactured in accordance with standards EN60598 - CEI 34 -21. Degree of protection in accordance with standards EN60529.