

Cast "A+B"

Cast addresses today's light engineering needs - for artworks, trade fairs, architectural applications, whenever the goal is to enhance the form and volume of illuminated objects. More than a product, it is a "family of light". Achievement of quality lighting and high technical performance are the key features of the "CAST" project.

Housing: Die-cast aluminium with cooling holes.

Reflector: Designed for the version holding lamps without reflector, in oxidised polished aluminium.

Coating: Powder coated with polyester epoxy paint, UV-resistant.

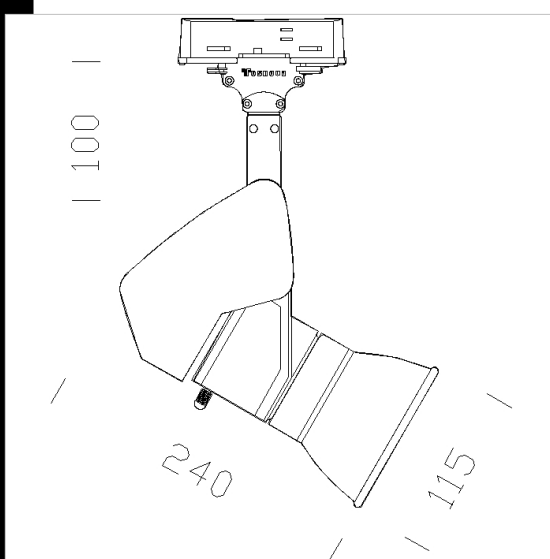
Lampholder: Ceramic with silver-plated contacts, or PBT with phosphorous bronze contacts.

Regulations: Manufactured in accordance with standards EN60598 - CEI 34 - 21. Degree of protection in accordance with standards EN60529.

Download

DXF 2D
- 501112.dxf

Montaggi
- CAST 04-09.pdf



Code	Gear	Kg	Lumen-K-CRI	WTot	Base	Colour
22501112-00	CELL	0.61	CDM-R 35 PAR30-2200lm-3000K-Ra 1b	47 W	E27	WHITE
22501172-00	CELL	0.61	CDM-R 35 PAR30-2200lm-3000K-Ra 1b	47 W	E27	SILVER

The reported luminous flux is the flux emitted by the light source with a tolerance of $\pm 10\%$ compared to the indicated value. The W tot column indicates the total wattage absorbed by the system without exceeding 10% of the indicated