



## Cast "A+B+C" "A+C+J"

Cast addresses today's light engineering needs - for artworks, trade fairs, architectural applications, whenever the goal is to enhance the form and volume of illuminated objects. More than a product, it is a "family of light". Achievement of quality lighting and high technical performance are the key features of the "CAST" project.

Housing: Die-cast aluminium with cooling holes.

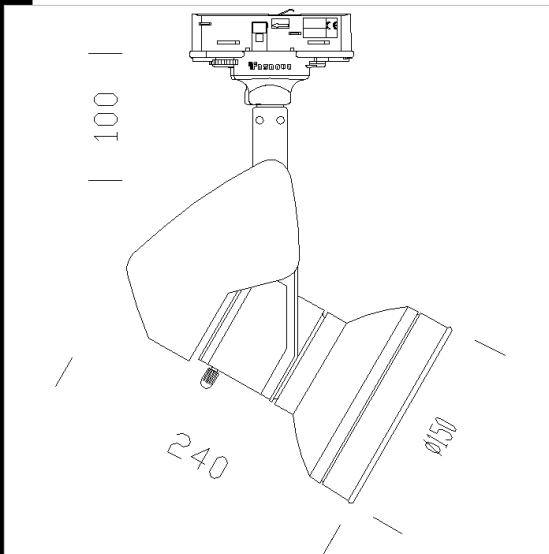
Reflector: Designed for the version holding lamps without reflector, in oxidised polished aluminium.

Coating: Powder coated with polyester epoxy paint, UV-resistant.

Lampholder: Ceramic with silver-plated contacts, or PBT with phosphorous bronze contacts.

Regulations: Manufactured in accordance with standards EN60598 - CEI 34 -21. Degree of protection in accordance with standards EN60529.

Version with transformer built into the housing, complete with lamp.



Code	Gear	Kg	Lumen-K-CRI	WTot	Base	Colour
22500977-00	CELL	2.30	CDM-R111 70-2850lm-3000K-Ra 1b	83 W	Gx8.5	ARGENTO
22500915-00	CELL	1.60	CDM-R111 35-1350lm-3000K-Ra 1b	47 W	Gx8.5	BIANCO
22500910-00	CELL	2.30	CDM-R111 70-2850lm-3000K-Ra 1b	83 W	Gx8.5	BIANCO
22500975-00	CELL	1.60	CDM-R111 35-1350lm-3000K-Ra 1b	47 W	Gx8.5	ARGENTO

### Download

DXF 2D  
- 500975.dxf

Montaggi  
- CAST 04-09.pdf

The reported luminous flux is the flux emitted by the light source with a tolerance of  $\pm 10\%$  compared to the indicated value. The W tot column indicates the total wattage absorbed by the system without exceeding 10% of the indicated