

Cast "A+H"

Cast addresses today's light engineering needs - for artworks, trade fairs, architectural applications, whenever the goal is to enhance the form and volume of illuminated objects. More than a product, it is a "family of light". Achievement of quality lighting and high technical performance are the key features of the "CAST" project.

Housing: Die-cast aluminium with cooling holes.

Reflector: Designed for the version holding lamps without reflector, in oxidised polished aluminium.

Coating: Powder coated with polyester epoxy paint, UV-resistant.

Lampholder: Ceramic with silver-plated contacts, or PBT with phosphorous bronze contacts.

Regulations: Manufactured in accordance with standards EN60598 - CEI 34 -21. Degree of protection in accordance with standards EN60529.

Standard version with lamp cover in painted aluminium. Lamp and reflector are perfectly integrated, with optimized lighting features.

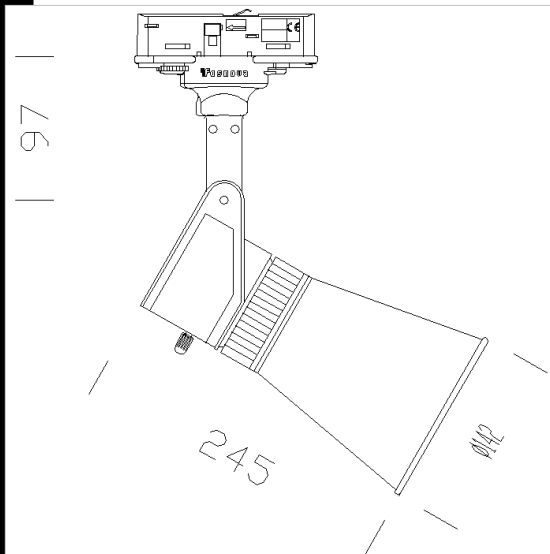
Download

DXF 2D

- cah.dxf

Montaggi

- CAST 04-09.pdf



Code	Gear	Kg	Lumen-K-CRI	WTot	Base	Colour
22500779-00	S	0.70	D-EL-R 20---	0 W	E27	SILVER
22500710-00	S	0.70	D-EL-R 20---	0 W	E27	WHITE

The reported luminous flux is the flux emitted by the light source with a tolerance of $\pm 10\%$ compared to the indicated value. The W tot column indicates the total wattage absorbed by the system without exceeding 10% of the indicated