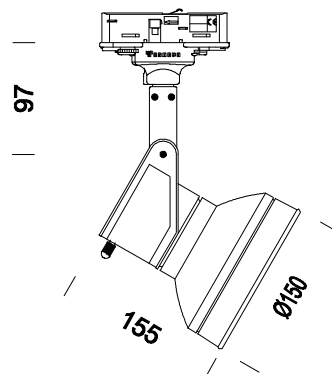


## Cast A+C - LED AR111



Code	Gear	Kg	Colour	Dimensions	W Tot	lamp
22500515-00	CLD CELL-F	1.10	white	155x150x100	11	AR111 LED-GU10-550lm-3000K - 45000h - 25°-Ra 82
22500575-00	CLD CELL-F	1.10	met. silver	155x150x97	11	AR111 LED-GU10-550lm-3000K - 45000h - 25°-Ra 82

Cast addresses today's light engineering needs - for artworks, trade fairs, architectural applications, whenever the goal is to enhance the form and volume of illuminated objects. More than a product, it is a "family of light". Achievement of quality lighting and high technical performance are the key features of the "CAST" project.

Housing: Die-cast aluminium with cooling holes.

Coating: Powder coated with polyester epoxy paint, UV-resistant .

Regulations: Manufactured in accordance with standards EN60598 - CEI 34 -21. Degree of protection in accordance with standards EN60529.

LED 550lm - 3000K - CRI 82 - 25°