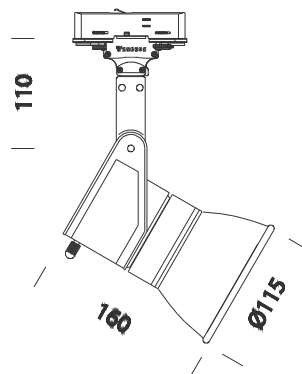


Cast "A+L" PAR30 LED



Code	Gear	Kg	Colour	W Tot	lamp
22500178-00	CLD CELL-F	2.60	met. silver	13	LED PAR30 13W-E27-820lm-3000K - 38°-CRI 80

Cast addresses today's light engineering needs - for artworks, trade fairs, architectural applications, whenever the goal is to enhance the form and volume of illuminated objects. More than a product, it is a "family of light". Achievement of quality lighting and high technical performance are the key features of the "CAST" project.

Housing: Die-cast aluminium with cooling holes.

Coating: Powder coated with polyester epoxy paint, UV-resistant.

Regulations: Manufactured in accordance with standards EN60598 - CEI 34 -21. Degree of protection in accordance with standards EN60529.