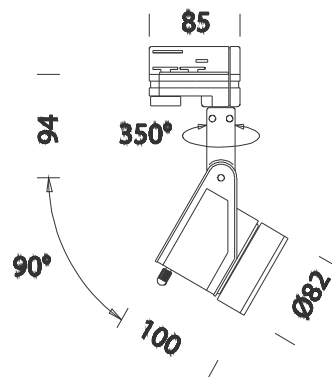


Cast "A" - LED 10°



Code	Gear	Volt	Kg	Colour	Dimensions	W Tot	lamp
22500074-00	CLD CELL	230	0.60	met. silver	100x82x179	2,5	LED white-GU10
22500074-71	CLD CELL	230	0.60	met. silver	100x82x179	2,5	LED blue-GU10
22500074-72	CLD CELL	230	0.60	met. silver	100x82x179	2,5	LED red-GU10
22500074-73	CLD CELL	230	0.60	met. silver	100x82x179	2,5	LED yellow-GU10
22500074-74	CLD CELL	230	0.60	met. silver	100x82x179	2,5	LED green-GU10

Cast addresses today's light engineering needs - for artworks, trade fairs, architectural applications, whenever the goal is to enhance the form and volume of illuminated objects. More than a product, it is a "family of light". Achievement of quality lighting and high technical performance are the key features of the "CAST" project.

Housing: Die-cast aluminium with cooling holes.

Coating: Powder coated with polyester epoxy paint, UV-resistant.

Regulations: Manufactured in accordance with standards EN60598 - CEI 34 -21. Degree of protection in accordance with standards EN60529.

Complete with LED 2.5W - 230V - 10°