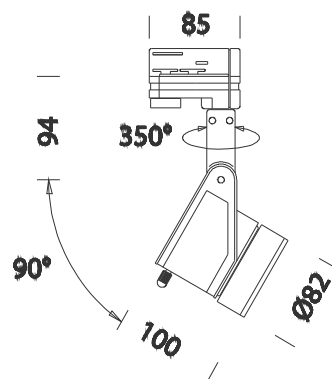


Cast "A" - LED 7W - 220-240V



Code	Gear	Kg	Colour	Dimensions	W Tot	lamp
22500019-00	CLD CELL-D	0.80	white	100x82x179	7	LED 7W-GU10-450lm-3000K - 25°
22500079-00	CLD CELL-D	0.80	met. silver	100x82x179	7	LED 7W-GU10-450lm-3000K - 25°

Cast addresses today's light engineering needs - for artworks, trade fairs, architectural applications, whenever the goal is to enhance the form and volume of illuminated objects. More than a product, it is a "family of light". Achievement of quality lighting and high technical performance are the key features of the "CAST" project.

Housing: Die-cast aluminium with cooling holes.

Coating: Powder coated with polyester epoxy paint, UV-resistant .

Regulations: Manufactured in accordance with standards EN60598 - CEI 34 -21. Degree of protection in accordance with standards EN60529.

LED 7W - 230V - Gu10 - 450lm - 3000k - CRI 80

Luminous flux maintenance 70% 50000h (L70B50)

Power factor: >0,95

Photobiological safety class: exempt group EN62471. complying with EN 60529 standards.