

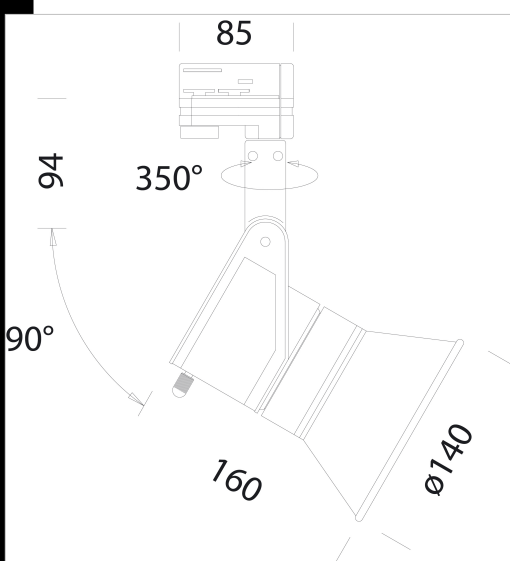
Cast "A+M" - PAR38 LED - Universal adapter

Cast addresses today's light engineering needs - for artworks, trade fairs, architectural applications, whenever the goal is to enhance the form and volume of illuminated objects. More than a product, it is a "family of light". Achievement of quality lighting and high technical performance are the key features of the "CAST" project.

Housing: Die-cast aluminium with cooling holes.

Coating: Powder coated with polyester epoxy paint, UV-resistant.

Regulations: Manufactured in accordance with standards EN60598 - CEI 34 -21. Degree of protection in accordance with standards EN60529.



Code	Gear	Kg	Lumen Output-K-CRI	WTot	Colour
22500014-00	CLD CELL-D	0.98	LED PAR38-1400lm-4000K-CRI 80	18 W	BIANCO
22500077-00	CLD CELL-D	0.96	LED PAR38-1400lm-4000K-CRI 80	18 W	ARGENTO

Download

DXF 2D
- 500077.dxf

The reported luminous flux is the flux emitted by the light source with a tolerance of $\pm 10\%$ compared to the indicated value. The W tot column indicates the total wattage absorbed by the system without exceeding 10% of the indicated