

Download  
DXF 2D  
- 500010.dxf



## Cast "A+M" - LED BULB - Universal adapter

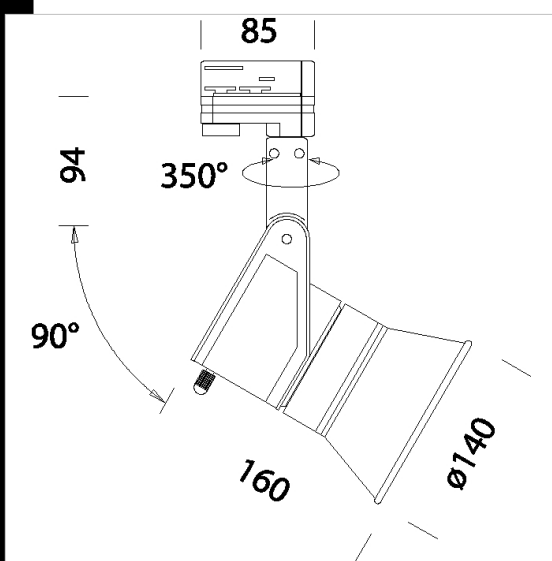
Cast addresses today's light engineering needs - for artworks, trade fairs, architectural applications, whenever the goal is to enhance the form and volume of illuminated objects. More than a product, it is a "family of light". Achievement of quality lighting and high technical performance are the key features of the "CAST" project.

Housing: Die-cast aluminium with cooling holes.

Coating: Powder coated with polyester epoxy paint, UV-resistant.

Regulations: Manufactured in accordance with standards EN60598 - CEI 34 -21. Degree of protection in accordance with standards EN60529.

LED BULB 3000K - 806lm - CRI 80 - 15000h.



Code	Gear	Kg	Watt	Base	Lamps	Colour
22500010-00	CLD CELL	0,65	LED BULB 9.5W		806lm-3000K-CRI 80	WHITE
22500070-00	CLD CELL	0,65	LED BULB 9.5W		806lm-3000K-CRI 80	SILVER