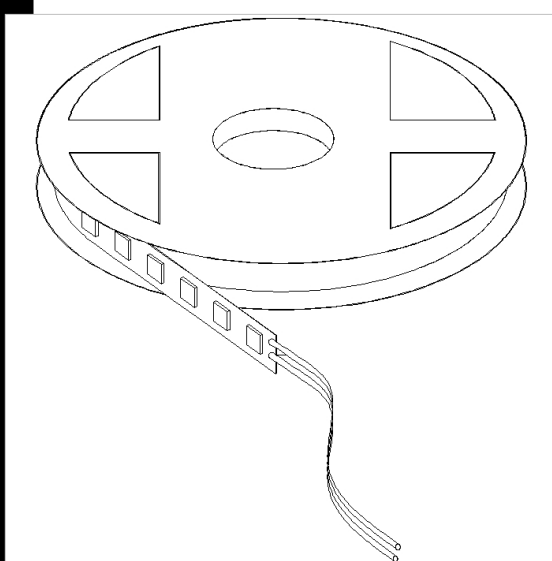


Striscia LED 24V - 3200K - IP65 High Performance

LED rows to be applied on smooth, clean and dry surfaces with 3M adhesive. Avoid installation on sharp surfaces and pay attention not to damage components.

The power supply should be purchased separately. *Note: never cutting strip. The 24V version enables to reduce the section of the electrical cable to cover longer distances. Upon request: dimmable with DMX controller.
LED 24V = 14.4W/m - 600mA



Code	Gear	Kg	Watt	Base	Lamps	Colour
22485212-00	CLD S+L	0,20	LED strip 60LED/m	-	24V - 1080lm-3200K - 120°-na	



Download

DXF 2D
- strip.dxf