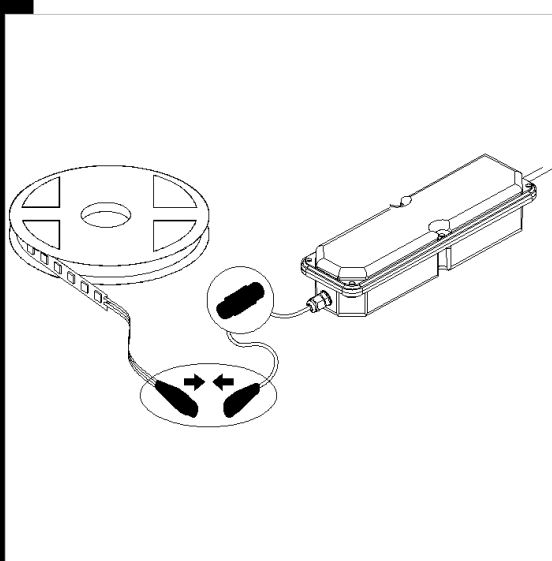


## Striscia LED 24V - 3000k - IP68

LED rows to be applied on smooth, clean and dry surfaces with 3M adhesive. Avoid installation on sharp surfaces and pay attention not to damage components.

The power supply should be purchased separately. \*Note: never cutting strip. The 24V version enables to reduce the section of the electrical cable to cover longer distances. Upon request: dimmable with DMX controller.  
LED 24V = 7.2W/m - 300mA - 600lm/m



Code	Gear	Kg	Watt	Base	Lamps	Colour
22485118-00	CLD S+L	0,30	LED strip 30LED/m	-	24V - 600lm-2700K-na	

### Accessories



- IP67 LED box - 24V



IP68

### Download

DXF 2D  
- stripip.dxf

Montaggi  
- led strip instruction.pdf