

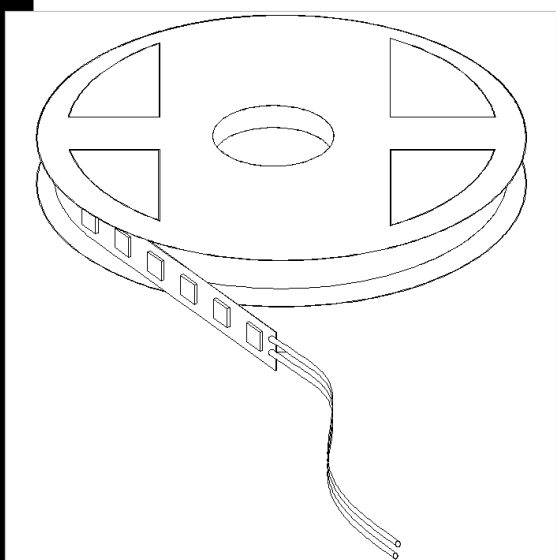


Striscia LED 24V - RGB

To be applied on smooth, clean and dry surfaces with 3M adhesive tape. Avoid installation on sharp surfaces and pay attention not to damage components. *Note: never use scissors for cutting, use a cutter instead. To ensure proper operation and the correct IP level, restore the strip cabling to the original configuration (use cable connectors if necessary). This note applies to all LED strips. Upon request: dimmable with DMX controller. LED 24V RGB = 60LED - 13.6W/m

Download

- DXF 2D
- strip.dxf
- Montaggi
- led strip instruction.pdf



Code	Gear	Kg	Watt	Base	Lamps	Colour
22485114-00	CLD S+L	0,12	LED strip 60LED/m RGB	-	24V - 160lm-120°-na	

Accessories



- kit RGB



- KIT RGB SLAVE 24V



- Power supply + Connector -



- KIT RGB MASTER 24V