



Download

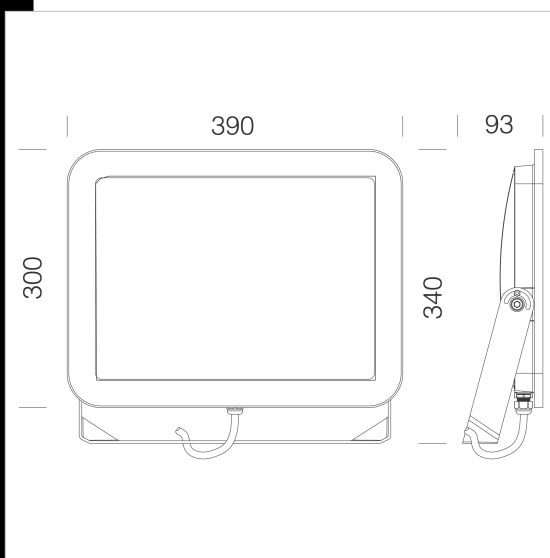
DXF 2D
- sevilla5.dxf

Montaggi
- SEVILLA_1-2-3-4-5 rev0.pdf



Sevilla 5 - 220/240V

Body / Frame: in die-cast aluminum. Diffuser: In tempered glass th. 4mm resistant to thermal shocks and impacts. Equipment: complete with galvanized and painted bracket, with electric cable L = 0.6m. LED: power factor: 0.9. Luminous flux maintenance at 80%: 50.000h (L80B20). Photobiological risk classification: exempt group



Code	Gear	Kg	Lumen Output-K-CRI	WTot	Colour
22413732-00	CLD	3,90	LED-24000-4000K-CRI 80	200 W	GRAPHITE
22413733-00	CLD CELL	4,00	LED-24000lm-6500K-CRI 80	200 W	GRAPHITE

The reported luminous flux is the flux emitted by the light source with a tolerance of $\pm 10\%$ compared to the indicated value. The W tot column indicates the total wattage absorbed by the system without exceeding 10% of the indicated