



**Download**

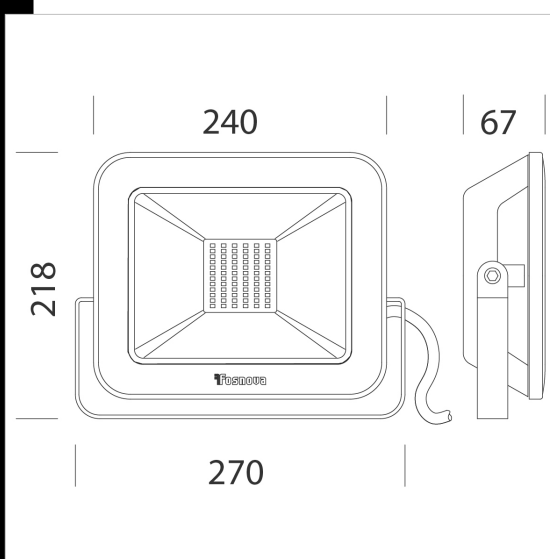
DXF 2D  
- sev2.dxf

Montaggi  
- SEVILLA rev0.pdf



## Sevilla 2.0 - 2

Housing: in die-cast aluminium. Diffuser: tempered glass, resistant to impact and thermal shock. Standard supply: complete with coated bracket and cable gland. LED: Luminous flux maintenance 70%: 25.000h (L70B50). Power factor 0.9.



Code	Gear	Kg	Lumen Output-K-CRI	WTot	Colour
22413470-00	CLD CELL	0.60	LED-5530lm-4000K-CRI 80	50 W	WHITE

The reported luminous flux is the flux emitted by the light source with a tolerance of  $\pm 10\%$  compared to the indicated value. The W tot column indicates the total wattage absorbed by the system without exceeding 10% of the indicated