



Download

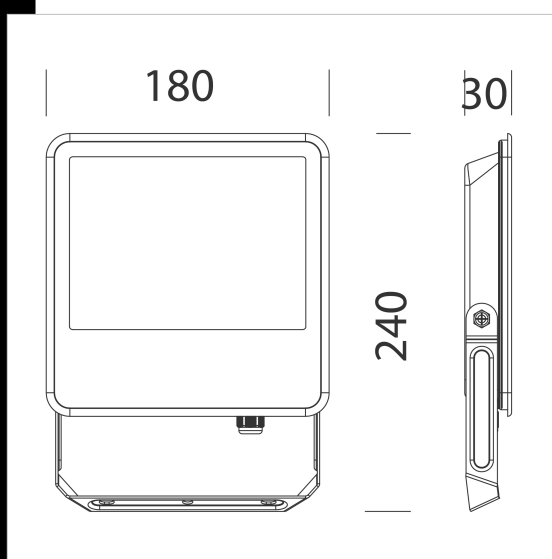
DXF 2D
- sevilla2.dxf

Montaggi
- sevilla123.pdf



Sevilla 2 - 220/240V

Body / Frame: in pressed aluminum. Diffuser: In tempered glass th. 4mm resistant to thermal shocks and impacts. Equipment: complete with galvanized and painted bracket, with electric cable L = 0.6m. LED: power factor: 0.9. Luminous flux maintenance at 80%: 50.000h (L80B20). Photobiological risk classification: exempt group



Code	Gear	Kg	Lumen Output-K-CRI	WTot	Colour
22413431-00	CLD	0,61	LED-5200-3000K-CRI 80	50 W	GRAPHITE
22413432-00	CLD	0,61	LED-5500-4000K-CRI 80	50 W	GRAPHITE
22413433-00	CLD	0,61	LED-5500-6500K-CRI 80	50 W	GRAPHITE
22413431-19	CLD	0,61	LED-5200-3000K-CRI 80	50 W	GRAPHITE
22413432-19	CLD	0,60	LED-5500-4000K-CRI 80	50 W	GRAPHITE
22413433-19	CLD	0,61	LED-5500-6500K-CRI 80	50 W	GRAPHITE

The reported luminous flux is the flux emitted by the light source with a tolerance of $\pm 10\%$ compared to the indicated value. The W tot column indicates the total wattage absorbed by the system without exceeding 10% of the indicated