



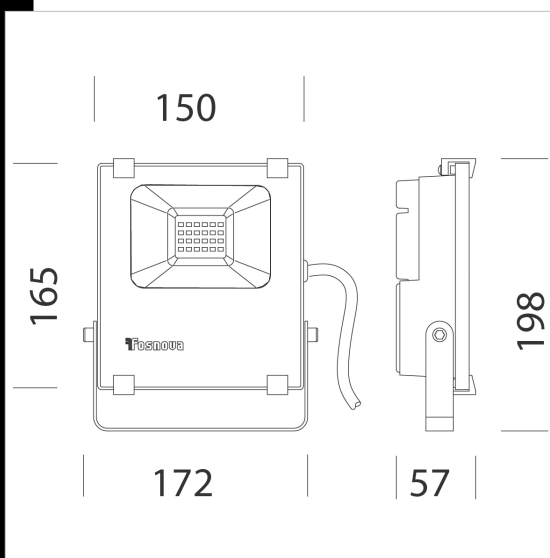
Sevilla 2.0 - 1

Housing: in die-cast aluminium. Diffuser: tempered glass, resistant to impact and thermal shock. Standard supply: complete with coated bracket and cable gland. LED: Luminous flux maintenance 70%: 25.000h (L70B50). Power factor 0.9.

Download

DXF 2D
- sev1.dxf

Montaggi
- SEVILLA rev0.pdf



Code	Gear	Kg	Lumen Output-K-CRI	WTot	Colour
22413370-00	CLD CELL	0.35	LED-2070lm-4000K-CRI 80	20 W	WHITE

The reported luminous flux is the flux emitted by the light source with a tolerance of $\pm 10\%$ compared to the indicated value. The W tot column indicates the total wattage absorbed by the system without exceeding 10% of the indicated