



**Download**

DXF 2D  
- cacjbas.dxf



## Cast "A+B+C" - COB - Base version

Cast addresses today's light engineering needs - for artworks, trade fairs, architectural applications, whenever the goal is to enhance the form and volume of illuminated objects. More than a product, it is a "family of light". Achievement of quality lighting and high technical performance are the key features of the "CAST" project.

Housing: Die-cast aluminium with cooling holes.

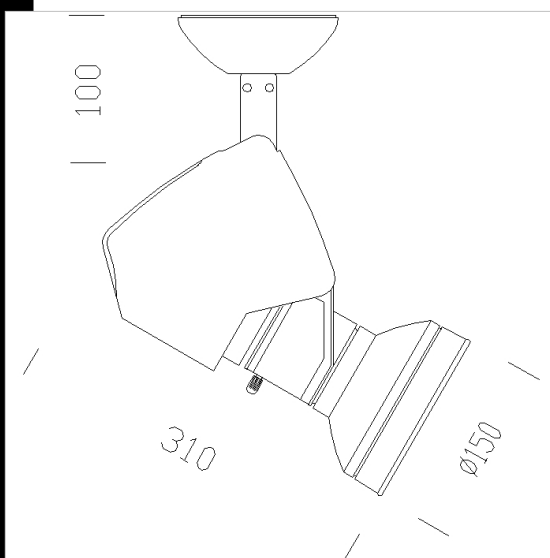
Coating: Powder coated with polyester epoxy paint, UV-resistant.

Regulations: Manufactured in accordance with standards EN60598 - CEI 34 -21. Degree of protection in accordance with standards EN60529.

Luminous flux maintenance L70B50: 50.000h.

Power factor >0.9

Photobiological safety class: exempt group EN62471.



Code	Gear	Kg	Lumen Output-K-CRI	WTot	Colour
22401410-00	CLD CELL-D	2.75	LED COB-1766-3000K-38°-CRI 93	19 W	BIANCO
22401470-00	CLD CELL-D	1.72	LED COB-1766-3000K-38°-CRI 93	19 W	ARGENTO

The reported luminous flux is the flux emitted by the light source with a tolerance of ± 10% compared to the indicated value. The W tot column indicates the total wattage absorbed by the system without exceeding 10% of the indicated