

## Cast "A+H" - Base

Cast addresses today's light engineering needs - for artworks, trade fairs, architectural applications, whenever the goal is to enhance the form and volume of illuminated objects. More than a product, it is a "family of light". Achievement of quality lighting and high technical performance are the key features of the "CAST" project.

Housing: Die-cast aluminium with cooling holes.  
 Reflector: Designed for the version holding lamps without reflector, in oxidised polished aluminium.

Coating: Powder coated with polyester epoxy paint, UV-resistant.  
 Lampholder: Ceramic with silver-plated contacts, or PBT with phosphorous bronze contacts.

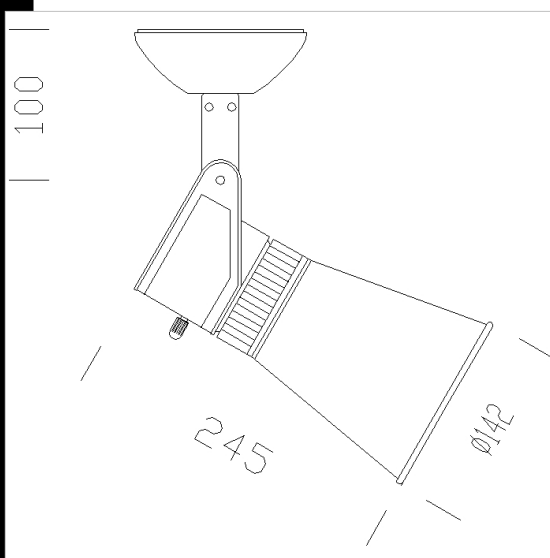
Regulations: Manufactured in accordance with standards EN60598 - CEI 34 -21. Degree of protection in accordance with standards EN60529.

Standard version with lamp cover in painted aluminium. Lamp and reflector are perfectly integrated, with optimized lighting features. With base for installation.

### Download

DXF 2D  
 - 400719.dxf

Montaggi  
 - CAST 04-09.pdf



Code	Gear	Kg	Lumen-K-CRI	WTot	Base	Colour
22400719-00	S	0.80	D-EL-R 20---	0 W	E27	BIANCO
22400779-00	S	0.80	D-EL-R 20---	0 W	E27	ARGENTO

The reported luminous flux is the flux emitted by the light source with a tolerance of  $\pm 10\%$  compared to the indicated value. The W tot column indicates the total wattage absorbed by the system without exceeding 10% of the indicated