

Download

DXF 2D
- 400172.dxf



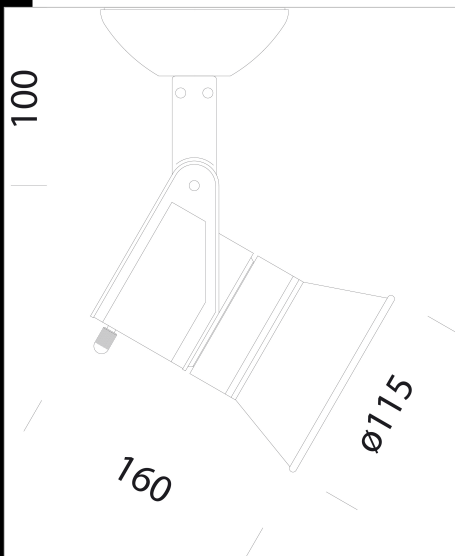
Cast "A+L" - PAR30 LED - Base version

Cast addresses today's light engineering needs - for artworks, trade fairs, architectural applications, whenever the goal is to enhance the form and volume of illuminated objects. More than a product, it is a "family of light". Achievement of quality lighting and high technical performance are the key features of the "CAST" project.

Housing: Die-cast aluminium with cooling holes.

Coating: Powder coated with polyester epoxy paint, UV-resistant.

Regulations: Manufactured in accordance with standards EN60598 - CEI 34 -21. Degree of protection in accordance with standards EN60529.



Code	Gear	Kg	Lumen Output-K-CRI	WTot	Colour
22400112-00	CLD CELL-D	0.80	LED PAR30-1000lm-3000K-38°-CRI 80	13 W	WHITE
22400172-00	CLD CELL-D	1.00	LED PAR30-1000lm-3000K-38°-CRI 80	13 W	SILVER

The reported luminous flux is the flux emitted by the light source with a tolerance of $\pm 10\%$ compared to the indicated value. The W tot column indicates the total wattage absorbed by the system without exceeding 10% of the indicated