



Download

DXF 2D
- caalo.dxf



Cast "A" - LED - Base version

Cast addresses today's light engineering needs - for artworks, trade fairs, architectural applications, whenever the goal is to enhance the form and volume of illuminated objects. More than a product, it is a "family of light". Achievement of quality lighting and high technical performance are the key features of the "CAST" project.

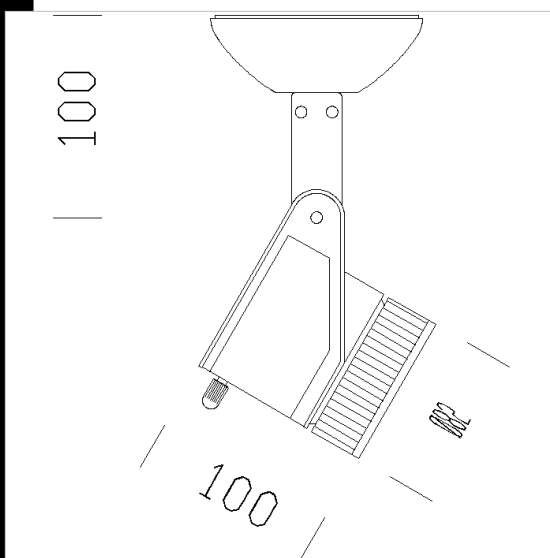
Housing: Die-cast aluminium with cooling holes.

Coating: Powder coated with polyester epoxy paint, UV-resistant.

Regulations: Manufactured in accordance with standards EN60598 - CEI 34 -21. Degree of protection in accordance with standards EN60529.

Luminous flux maintenance 70% 25000h (L70B50)

Photobiological safety class: exempt group EN62471. complying with EN 60529 standards.



Code	Gear	Kg	Lumen Output-K-CRI	WTot	Colour
22400016-00	CLD CELL-D	0.60	LED SMD-500lm-3000K-38°-CRI 80	6 W	BIANCO
22400076-00	CLD CELL-D	0.70	LED SMD-500lm-3000K-38°-CRI 80	6 W	ARGENTO

The reported luminous flux is the flux emitted by the light source with a tolerance of $\pm 10\%$ compared to the indicated value. The W tot column indicates the total wattage absorbed by the system without exceeding 10% of the indicated