

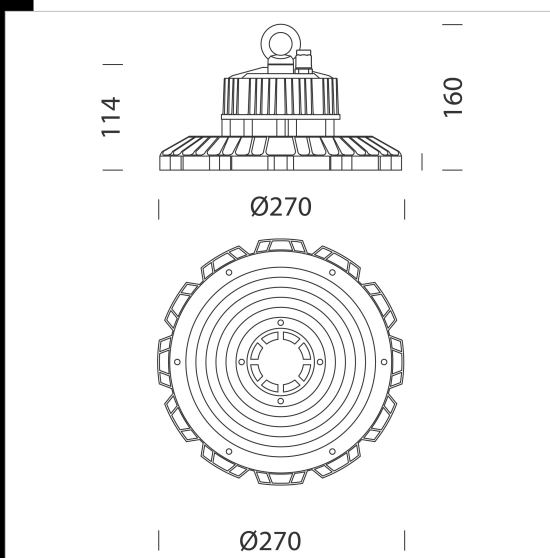
### Download

DXF 2D  
- lucente27.dxf

Montaggi  
- LUCENTE rev5.pdf

## 3700 Lucente 2.7

Housing/frame: in die-cast aluminium with cooling fins integrated into the cover. Diffuser: in polycarbonate with concentric discs. Equipment: complete with connector for quick installation. LED: power factor: 0,9. LED luminous flux maintenance 80%: 50.000h (L80B20). Photobiological safety class: exempt group.



Code	Gear	Kg	Lumen Output-K-CRI	WTot	Colour
22370030-00	CLD	2,86	LED-14000lm-4000K-CRI 80	100 W	GRAPHITE

### Accessori



- Lucente 2.7 Reflector UGR<25

The reported luminous flux is the flux emitted by the light source with a tolerance of  $\pm 10\%$  compared to the indicated value. The W tot column indicates the total wattage absorbed by the system without exceeding 10% of the indicated