

IK07

**Download**

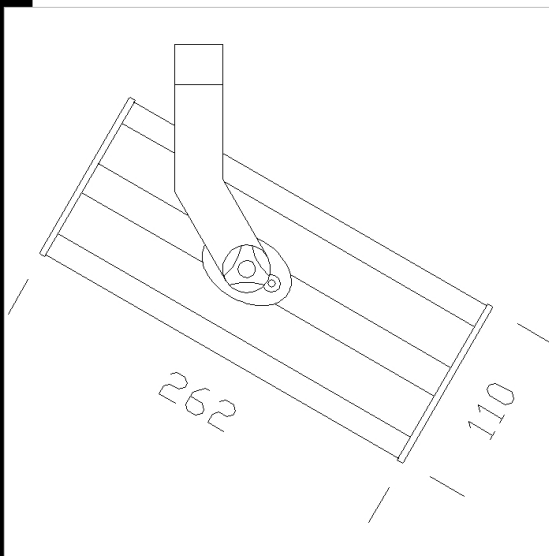
- DXF 2D - tojmts.dxf
- Montaggi - TRIALONE rev1.pdf



**Trial-one ceramic**

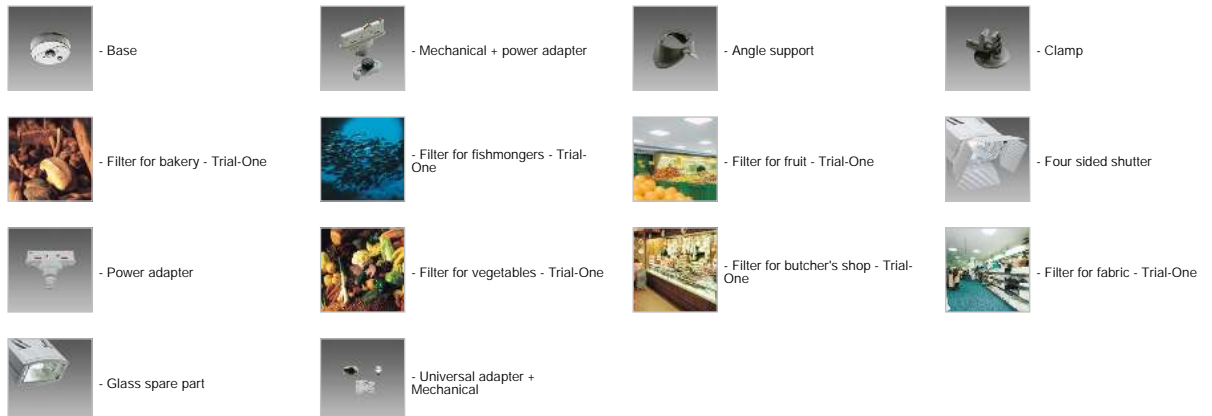
Designing an artificial lighting project means facilitating one of man's most important functions: "vision". This is why, especially when dealing with exhibitions, the light effect should never be overlooked: it is like a magic touch that animates a static setting, and even penetrates matter.

- Housing: Pressed steel with cooling holes.
- Reflector: High-performance hammered aluminium
- Coating: UV-stabilised, humidity-resistant acrylic-resin liquid paint.
- Lampholder: Ceramic with silver-plated contacts.
- Electric gear: 230V/50Hz power supply with traditional ballast, with thermal protection. Silicone wire with fibreglass braid, 1.5 sqmm cross section, 2P+T terminal block (maximum allowed lead cross-section: 2.5 sqmm).
- Standard supply: Only supplied with an aluminium bracket for attaching the base or the track mounting adapter.
- Regulations: Manufactured in accordance with standards EN60598 - 1 - CEI 34.21. Degree of protection in accordance with standards EN60529.
- Lamps: Includes Mastercolour lamps.
- Only supplied with bracket. Installation both on ceiling track with acc. 25305/10/31; wall track with acc. 93315/71/34 or directly to wall with acc. 91410/30/70 base.



Code	Gear	Kg	Lumen-K-CRI	WTot	Base	Colour
22346832-85	CNR-L	3.80	CDM-TS 70-6500lm-3000K-Ra 82	83 W	Rx7s	NERO
22346973-0885	CELL	3.00	CDM-TS 150-13250lm-3000K-Ra 1b	160 W	Rx7s	ARGENTO
22346872-85	CNR-L	3.80	CDM-TS 70-6500lm-3000K-Ra 82	83 W	Rx7s	ARGENTO
22346933-85	CNR-L	4.80	CDM-TS 150-13250lm-3000K-Ra 1b	166 W	Rx7s	NERO
22346812-0885	CELL	2.80	CDM-TS 70-6500lm-3000K-Ra 82	80 W	Rx7s	BIANCO
22346832-0885	CELL	2.85	CDM-TS 70-6500lm-3000K-Ra 82	80 W	Rx7s	NERO
22346812-85	CNR-L	3.80	CDM-TS 70-6500lm-3000K-Ra 82	83 W	Rx7s	BIANCO
22346913-0885	CELL	3.00	CDM-TS 150-13250lm-3000K-Ra 1b	160 W	Rx7s	BIANCO
22346913-85	CNR-L	4.80	CDM-TS 150-13250lm-3000K-Ra 1b	166 W	Rx7s	BIANCO
22346872-0885	CELL	3.80	CDM-TS 70-6500lm-3000K-Ra 82	80 W	Rx7s	ARGENTO
22346933-0885	CELL	3.00	CDM-TS 150-14200lm-4200K-Ra 1a	160 W	Rx7s	NERO
22346973-85	CNR-L	4.80	CDM-TS 150-13250lm-3000K-Ra 1b	166 W	Rx7s	ARGENTO

**Accessories**



The reported luminous flux is the flux emitted by the light source with a tolerance of ± 10% compared to the indicated value. The W tot column indicates the total wattage absorbed by the system without exceeding 10% of the indicated