

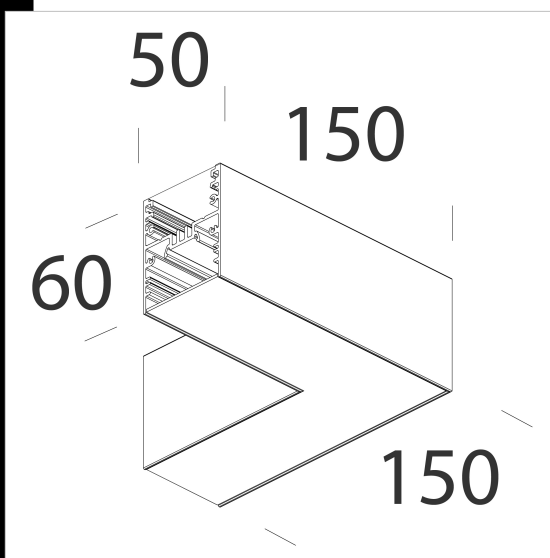


Download

DXF 2D
- 22302630-31.dxf

S angle module - suspension - ceiling

It permits angle connection of Liset 2.0.
Not suitable for Liset 2.0 HE versions.



Code	Gear	Kg	WTot	Colour
22302630-03	S	0,70	0 W	BLACK
22302610-03	S	0,70	0 W	WHITE

Prodotti



- Liset 2.0 - suspension - direct



- Liset 2.0 - suspension - direct / indirect light - Dark light



- Liset 2.0 - ceiling - comfort



- Liset 2.0 - suspension - direct



- Liset 2.0 - suspension - direct/indirect light - comfort optics - UGR<19



- Liset 2.0 - ceiling - with polycarbonate diffuser



- Liset 2.0 - suspension - direct/indirect light - with polycarbonate diffuser



- Liset 2.0 - ceiling - Dark light - UGR<19



- Liset 2.0 - suspension - direct - with polycarbonate diffuser

The reported luminous flux is the flux emitted by the light source with a tolerance of $\pm 10\%$ compared to the indicated value. The W tot column indicates the total wattage absorbed by the system without exceeding 10% of the indicated