

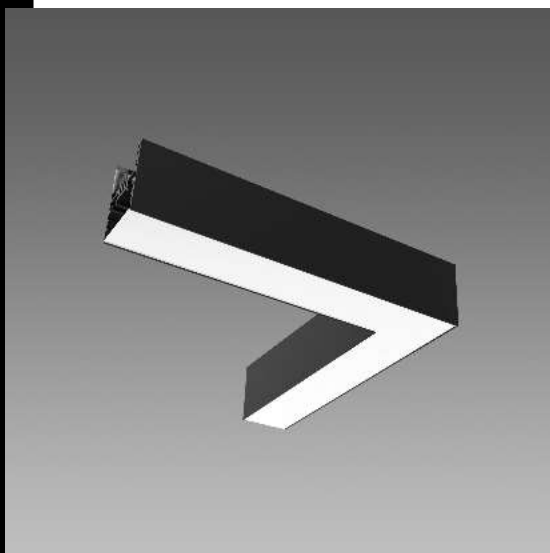
CLD



**Download**

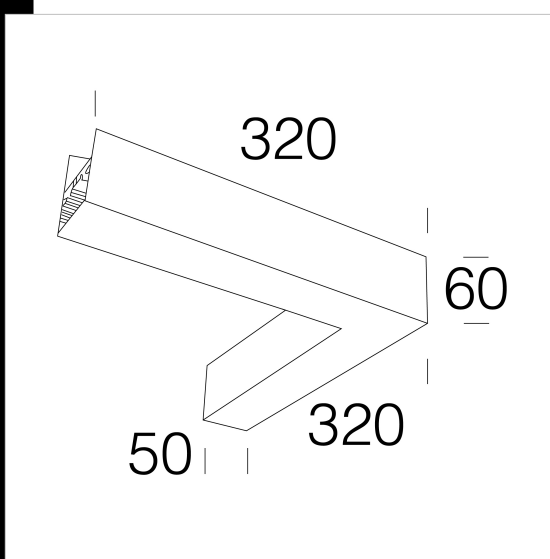
DXF 2D  
- angsoosp.dxf

Montaggi  
- LISET\_2-0\_acc\_ang rev0.pdf



**Angular module - ALL LIGHT - suspension**

Permits angle connection of Liset 2.0.  
Polycarbonate diffuser. On request: DIMM-DALI (-1241). 3000K (-39) Not suitable for Liset 2.0 HE versions.



| Code        | Gear | Kg   | WTot | Colour |
|-------------|------|------|------|--------|
| 22302630-00 | CLD  | 3,06 | 14 W | BLACK  |
| 22302610-00 | CLD  | 1,46 | 14 W | WHITE  |

**Prodotti**



- Liset 2.0 - suspension - direct



- Liset 2.0 - suspension - direct / indirect light - Dark light -



- Liset 2.0 - suspension - direct -



- Liset 2.0 - suspension - direct/indirect light - comfort



- Liset 2.0 - suspension - direct/indirect light - with polycarbonate diffuser



- Liset 2.0 - suspension - direct - with polycarbonate diffuser

The reported luminous flux is the flux emitted by the light source with a tolerance of  $\pm 10\%$  compared to the indicated value. The W tot column indicates the total wattage absorbed by the system without exceeding 10% of the indicated