

## Liset 2.0 - recessed - Dark light - UGR<19

Liset 2.0 is a linear and modular lighting system that is easily customisable and capable of offering a series of lighting solutions in any setting, including retailing, artistic and cultural spaces or in entrance lobbies and/or hospitality facilities. Compact, elegant, flexible and small, Liset 2.0 is simple to install as a recessed, ceiling, suspension or track lamp. It is available in three versions: with dark light lamellar optics with UGR<19, or with either white or black polycarbonate comfort optics and polycarbonate opal diffuser. The entire range has latest generation 4000K LED sources with 80 and 90 CRI, making these products easy to fit into any lighting design project.

Liset 2.0 is a real multi-purpose lighting system studied to make the best use of the LED technology. Its clean lines and luminous efficiency ensure extraordinary light and colour effects.

The system's extreme flexibility is guaranteed by the numerous compositions that can be made using the angular module to create ALL LIGHT solutions, which can offer uniform lighting of the space and constant visual comfort. The system's main feature is the possibility to integrate a wide selection of additional recessed lights, ceiling spotlights and projectors from the Matrix Q series. Thanks to the different combinations of power, lumen, light beams and aesthetic finishes, Liset 2.0 System can perfectly fit into any architectural structure, enhancing both the showroom space and the items on display.

Housing: made of extruded aluminium. Heads: in die cast aluminium. LED: Luminous flux maintenance 80%: 50.000h (L80B20). Power factor: 0,92. Photobiological safety class: Exempt group.

Regulations: Produced according to applicable EN60598-1 CEI 34-21 standards, degree of protection according to EN 60529 standards.

Louvre: Dark light Dark light double parabolic louvres, in high-gloss plated aluminium 99.99. Anti-dazzle and anti-iridescence, very low luminance. PVD treatment.

### Download

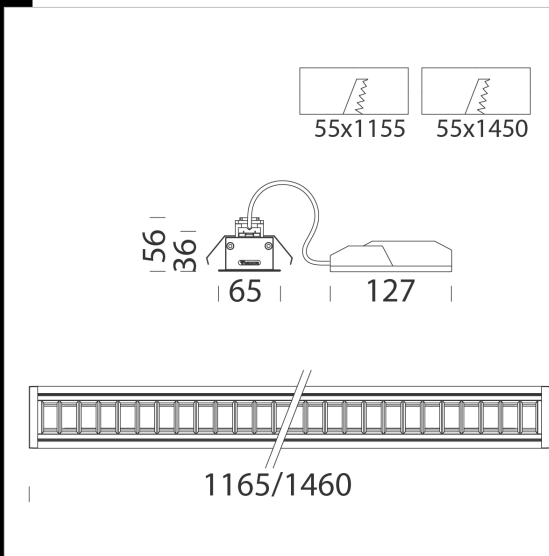
DXF 2D  
- 302001.dxf

### Montaggi

- composition.pdf  
- LISET\_2-0\_inc rev2.pdf

### BIM

- recessed - Dark light - UGR19 - 1460mm - 20200519.zip  
- recessed - Dark light - UGR19 - 1165mm - 20200519.zip



Code	Gear	Kg	Lumen Output-K-CRI	WTot	Colour
22302001-00	CLD	1,59	LED-2599lm-4000K-CRI 80	28 W	WHITE
22302002-00	CLD	3,06	LED-3249lm-4000K-CRI 80	35 W	WHITE
22302001-1241	CLD-D-D	1,72	LED-2599lm-4000K-CRI 80	28 W	WHITE
22302002-1241	CLD-D-D	2,04	LED-3249lm-4000K-CRI 80	35 W	WHITE

### Accessori



- Jointing bracket - Liset 2.0



- S module for recessed linear



- S angle module - recessed



- Angular module - ALL LIGHT

The reported luminous flux is the flux emitted by the light source with a tolerance of  $\pm 10\%$  compared to the indicated value. The W tot column indicates the total wattage absorbed by the system without exceeding 10% of the indicated