

Compendio - COB

With its extreme versatility, Compendio offers a range of installation options: wall, ceiling, suspension, lamp-stand, single or in multiple sequence. It can also be recessed by using the separate frame.

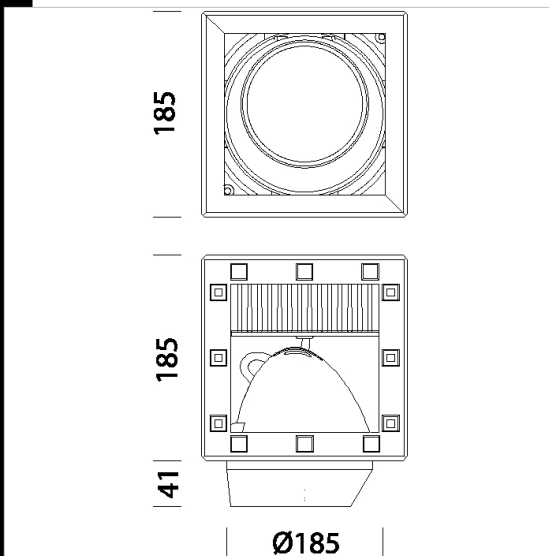
Housing: Die-cast aluminium, with gear box encased inside the structure.

Coating: Acrylic-resin liquid paint, UV-stabilised after a 6-stage chromate treatment.

Regulations: Manufactured in accordance with standards EN60598 - CEI 34 - 21. Degree of protection in accordance with standards EN60529.

Power factor: 0.9

Luminous flux maintenance 70% 50000h (L70B50)



Code	Gear	Kg	Watt	Base	Lamps	Colour
22281370-00	CLD CELL-D	3,10	LED COB 17W		2000lm-3000K - 38°-CRI 93	SILVER

Accessori



- Bracket + Universal adapter



- Branch box



- Vertebra



- "S" module



- Ceiling suspension



- Conveyor



- Housing + recess accessory



Download
DXF 2D
- compro.dxf