

## Compendio track

With its extreme versatility, Compendio offers a range of installation options: wall, ceiling, suspension, lamp-stand, single or in multiple sequence. It can also be recessed by using the separate frame.

Housing: Die-cast aluminium, with gear box encased inside the structure.

Reflector: For Mastercolour lamp, built from oxidised and polished 99.85 aluminium.

Diffuser: Frosted tempered glass.

Coating: Acrylic-resin liquid paint, UV-stabilised after a 6-stage chromate treatment.

Lampholder: Ceramic, with silver-plated contacts.

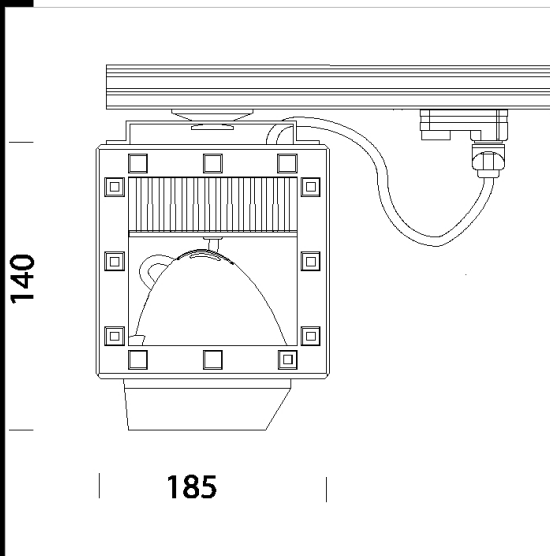
Electric gear: 230V/50Hz supply with 12V traditional or electronic ballast.

Silicone wire with fibreglass braid, cross-section: 1.5 sqmm.

Standard supply: Includes electric cable (l.= 500mm).

Regulations: Manufactured in accordance with standards EN60598 – CEI 34 –21. Degree of protection in accordance with standards EN60529.

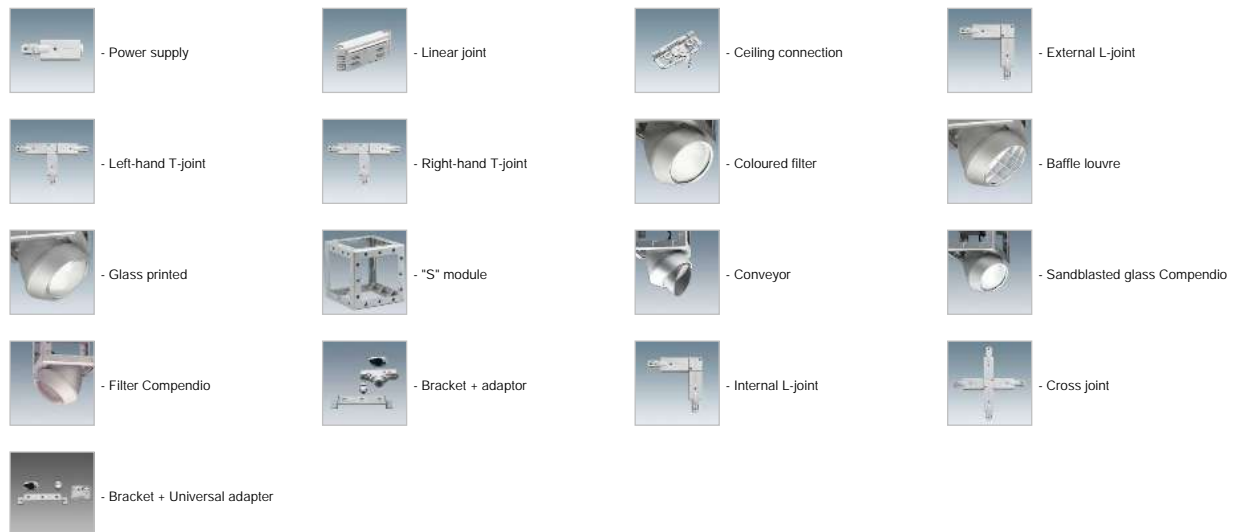
Lamps: Supplied with AR111 Mastercolour lamps. This version requires no additional accessories to be installed individually.



Download  
DXF 2D  
- 281070bi.dxf

Code	Gear	Kg	Lumen-K-CRI	WTot	Base	Colour
22281174-00	CTL	2.75	AR111 75-5300cd-3000K-Ra 100 AR111 65IRC-8500cd-3000K-Ra 100	68 W	G53 G53	SILVER
22281173-00	CTL	2.70	AR111 50IRC-5800cd-3000K-Ra 100 AR111 50IRC-5800cd-3000K-Ra 100	51 W	G53 G53	SILVER

### Accessories



The reported luminous flux is the flux emitted by the light source with a tolerance of  $\pm 10\%$  compared to the indicated value. The W tot column indicates the total wattage absorbed by the system without exceeding 10% of the indicated