

## Compendio

With its extreme versatility, Compendio offers a range of installation options: wall, ceiling, suspension, lamp-stand, single or in multiple sequence. It can also be recessed by using the separate frame.

Housing: Die-cast aluminium, with gear box encased inside the structure.

Reflector: For Mastercolour lamp, built from oxidised and polished 99.85 aluminium.

Diffuser: Frosted tempered glass.

Coating: Acrylic-resin liquid paint, UV-stabilised after a 6-stage chromate treatment.

Lampholder: Ceramic, with silver-plated contacts.

Electric gear: 230V/50Hz supply with electronic ballast. Silicone wire with fibreglass braid, cross-section: 1.5 sqmm.

Standard supply: Includes electric cable (l.= 500mm).

Regulations: Manufactured in accordance with standards EN60598 - CEI 34 - 21. Degree of protection in accordance with standards EN60529.

Lamps: Supplied with Mastercolour lamps. This version requires no additional accessories to be installed individually.

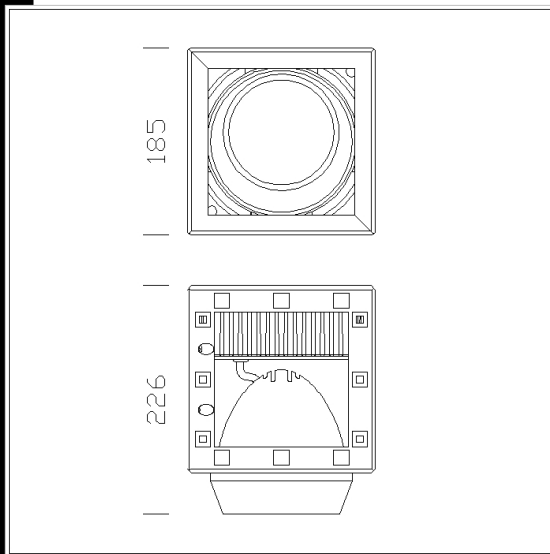
On request versions with 15° and 25° optics.

### Download

DXF 2D  
- 281070.dxf

3DS  
- compendio.3ds

3DM  
- compendio.3dm



Code	Gear	Kg	Lumen-K-CRI	WTot	Base	Colour
22281071-00	CNR-L	4.05	CDM-T 70-6600lm-3000K-Ra 1b	85 W	G12	SILVER
22281072-00	CNR-L	0.00	CDM-T 150-14000lm-3000K-Ra 1b	165 W	G12	MET. SILVER
22281070-08	CELL	3.70	CDM-T 35-3500lm-3000K-Ra 1b	43 W	G12	SILVER
22281070-00	CNR-L	0.00	CDM-T 35-3500lm-3000K-Ra 1b	47 W	G12	MET. SILVER
22281073-00	CELL	2.90	CDM-R111 35-1350lm-3000K-Ra 1b	47 W	Gx8.5	SILVER
22281071-08	CELL	4.05	CDM-T 70-6600lm-3000K-Ra 1b	81 W	G12	SILVER

### Accessories



- Ceiling suspension



- Coloured filter



- Baffle louvre



- Glass printed



- "S" module



- Vertebra



- Conveyor



- Housing + recess accessory



- Upright for Compendio



- Sandblasted glass Compendio



- Filter Compendio



- Reflector Compendio



The reported luminous flux is the flux emitted by the light source with a tolerance of  $\pm 10\%$  compared to the indicated value. The W tot column indicates the total wattage absorbed by the system without exceeding 10% of the indicated