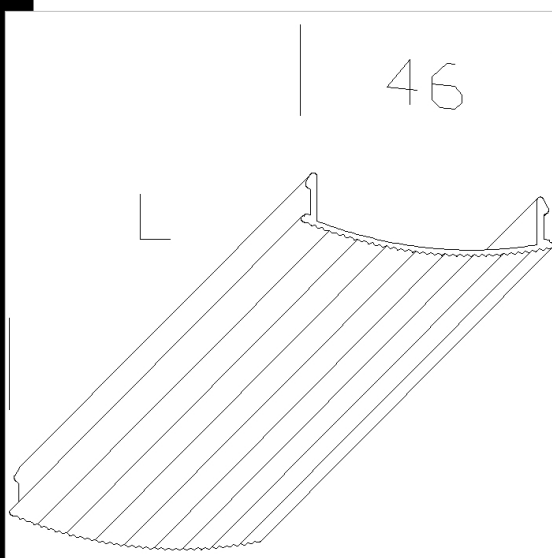


### Cover struttura Omnitrack

Provides a cover for the lower part of the structure when the track is not installed.



| Code        | Kg   | WTot | Colour |
|-------------|------|------|--------|
| 22271774-00 | 2,00 | 0 W  | SILVER |

#### Prodotti



- Structur Omnitrack

#### Download

DXF 2D  
- 271774.dxf

The reported luminous flux is the flux emitted by the light source with a tolerance of  $\pm 10\%$  compared to the indicated value. The W tot column indicates the total wattage absorbed by the system without exceeding 10% of the indicated