

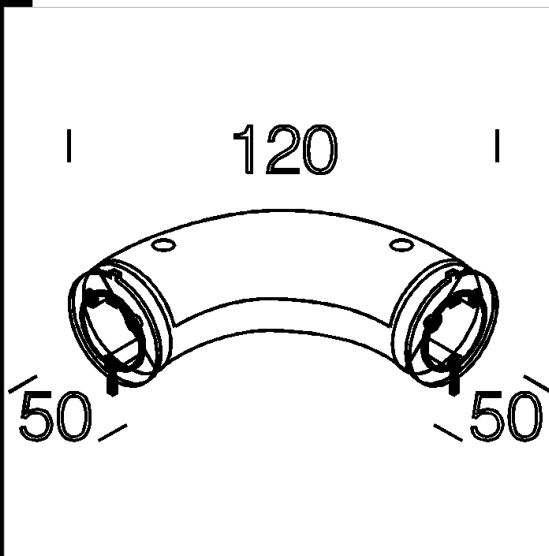


3DM  
- omnitrack\_giunto\_angolare.3dm



## Giunto angolare Omnitrack

In alluminio pressofuso. Permette la sospensione, la rotazione degli apparecchi sul proprio asse e la giunzione a "L" della struttura.



Code	Kg	WTot	Colour
22271773-00	0.28	0 W	SILVER
22271730-00	0.23	0 W	BLACK

### Products



- Structur Omnitrack

The reported luminous flux is the flux emitted by the light source with a tolerance of  $\pm 10\%$  compared to the indicated value. The W tot column indicates the total wattage absorbed by the system without exceeding 10% of the indicated